

# SILVERCREST®



## BLENDER / STANDMIXER / BLENDER SSMKC 600 A1

(GB) (IE)

### BLENDER

Operating instructions

(FR) (BE)

### BLENDER

Mode d'emploi

(CZ)

### STOLNÍ MIXÉR

Návod k obsluze

(SK)

### MIXÉR

Návod na obsluhu

(DK)

### BLENDER

Betjeningsvejledning

(DE) (AT) (CH)

### STANDMIXER

Bedienungsanleitung

(NL) (BE)

### BLENDER

Gebruiksaanwijzing

(PL)

### BLENDER KIELICHOWY

Instrukcja obsługi

(ES)

### BATIDORA DE VASO

Instrucciones de uso

IAN 360749\_2007

(BE) (NL)  
(PL) (CZ) (SK)



GB IE

Before reading, unfold the page containing the illustrations and familiarise yourself with all functions of the device.

---

DE AT CH

Klappen Sie vor dem Lesen die Seite mit den Abbildungen aus und machen Sie sich anschließend mit allen Funktionen des Gerätes vertraut.

---

FR BE

Avant de lire le mode d'emploi, ouvrez la page contenant les illustrations et familiarisez-vous ensuite avec toutes les fonctions de l'appareil.

---

NL BE

Vouw vóór het lezen de pagina met de afbeeldingen open en maak u vertrouwd met alle functies van het apparaat.

---

CZ

Před čtením si otevřete stranu s obrázky a potom se seznamte se všemi funkcemi přístroje.

---

PL

Przed przeczytaniem proszę rozłożyć stronę z ilustracjami, a następnie proszę zapoznać się z wszystkimi funkcjami urządzenia.

---

SK

Pred čítaním si odklopte stranu s obrázkami a potom sa oboznámte so všetkými funkciami prístroja.

---

ES

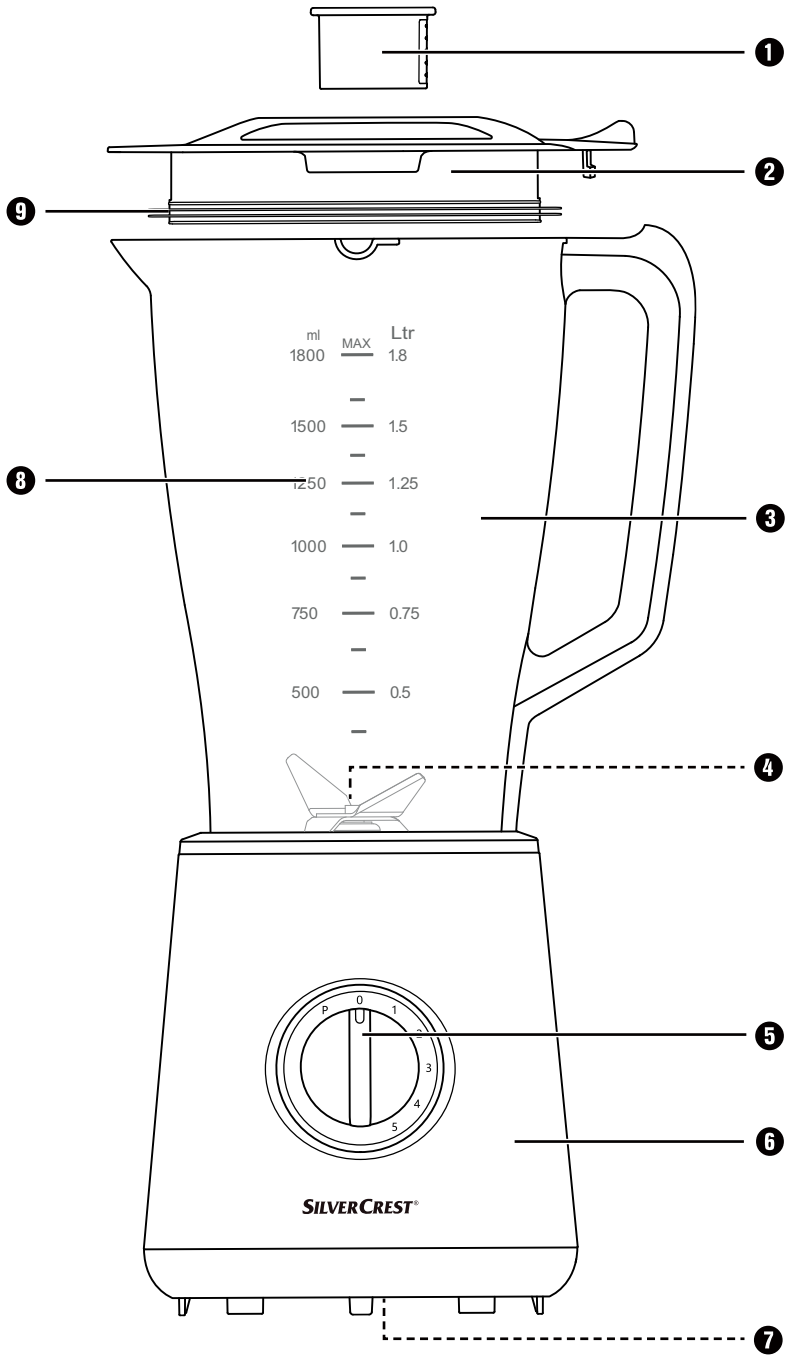
Antes de empezar a leer abra la página que contiene las imágenes y, en seguida, familiarícese con todas las funciones del dispositivo.

---

DK

Før du læser, vend siden med billeder frem og bliv bekendt med alle apparatets funktioner.

GB / IE	Operating instructions	Page	1
DE / AT / CH	Bedienungsanleitung	Seite	19
FR / BE	Mode d'emploi	Page	37
NL / BE	Gebruiksaanwijzing	Pagina	59
CZ	Návod k obsluze	Strana	77
PL	Instrukcja obsługi	Strona	95
SK	Návod na obsluhu	Strana	113
ES	Instrucciones de uso	Página	131
DK	Betjeningsvejledning	Side	149



## Content

<b>Introduction</b> .....	<b>2</b>
<b>Intended use</b> .....	<b>2</b>
<b>Package contents</b> .....	<b>2</b>
<b>Description of the appliance</b> .....	<b>3</b>
<b>Technical data</b> .....	<b>3</b>
<b>Safety instructions</b> .....	<b>4</b>
<b>Unpacking</b> .....	<b>6</b>
<b>Setting up</b> .....	<b>6</b>
<b>Operation</b> .....	<b>7</b>
Fitting and filling the blender .....	7
Selecting the speed setting .....	8
Filling while in use .....	9
Removing the blender .....	9
<b>Useful tips</b> .....	<b>9</b>
<b>Recipes</b> .....	<b>10</b>
Banana shake .....	10
Vanilla shake .....	10
Cappucino shake .....	10
Tropical mix .....	11
Nut nougat shake .....	11
Carrot shake .....	11
Blackcurrant mix .....	11
Hawaii shake .....	12
Fruity pineapple and strawberry mix .....	12
Andalusian cold soup (gazpacho) .....	12
<b>Cleaning</b> .....	<b>13</b>
Cleaning the blender .....	13
Cleaning the motor block .....	15
After cleaning .....	15
<b>Storage</b> .....	<b>15</b>
<b>Disposal</b> .....	<b>16</b>
<b>Kompernass Handels GmbH warranty</b> .....	<b>17</b>
Service .....	18
Importer .....	18

## Introduction

Congratulations on the purchase of your new appliance. You have selected a high-quality product. These operating instructions are a part of this product. They contain important information on safety, usage and disposal. Before using the product, familiarise yourself with all operating and safety instructions. Use the product only as described and only for the specified areas of application. In addition, pass these documents on, together with the product, to any future owner.

## Intended use

This appliance is intended exclusively for...

- mixing, puréeing and stirring foods as well as crushing ice cubes,
- use exclusively in normal domestic amounts and only for private use in a domestic environment in dry rooms.

This appliance is not intended for...

- chopping herbs, onions, meat and hard food components such as nuts, pits, large seeds or stalks,
- making nut puree,
- the processing of materials that are not foodstuffs,
- commercial or industrial use,
- for use in damp environments or outdoors,
- processing hot/boiling liquids.

Use only the accessories and spare parts that are specified for this appliance. Other parts may not be adequately suitable or safe!

## Package contents



After unpacking, check to ensure all items are available. The package contains:

- Motor block, with power cable and plug
- Blender
- Lid
- Measuring cap
- Operating instructions

## Description of the appliance

- ❶ Measuring cap
- ❷ Lid
- ❸ Blender
- ❹ Cutting blades
- ❺ Switch
- ❻ Motor block
- ❼ Cable retainer
- ❽ Scale
- ❾ Rubber lid seal

## Technical data

Nominal voltage	220 - 240 V ~ (alternating current), 50 - 60 Hz
Nominal power consumption	600 W
Storage capacity	approx. 2.4 litres
Max. fill capacity	1.8 litres
Protection Class	II /  (double insulation)
CO time	3 minutes
	All of the parts of this appliance that come into contact with food are food-safe.

The CO time (continuous operation time) is the amount of time an appliance can be operated without the motor overheating and becoming damaged. When the specified CO time has been reached, the appliance must be switched off until the motor has cooled down to room temperature.

## Safety instructions

### **DANGER! ELECTRIC SHOCK!**

- ▶ Ensure that the appliance, the power cable and the power plug are never immersed in water or other liquids.
- ▶ Use the appliance only in dry rooms; never use it outdoors or in damp environments.
- ▶ Ensure that the power cable never becomes wet or damp during operation. Route the power cable in such a way that it cannot become trapped or damaged in any way.
- ▶ Arrange for defective power plugs and/or cables to be replaced as soon as possible by a qualified technician or by our Customer Service Department to avoid the risk of injury.
- ▶ Always remove the plug from the power socket after use. Switching off the appliance is not sufficient because the appliance receives power as long as the power plug is connected to the socket.
- ▶ Check to ensure that the appliance is in a serviceable condition before use. The appliance may not be used if it shows signs of damage, especially to the motor block or the blender attachment.
- ▶ Remove the plug from the socket immediately if you notice unexpected smells or noises coming from the appliance while it is in use or if there is an evident malfunction.

### **WARNING! RISK OF INJURY!**

- ▶ NEVER insert your hand or fingers into the blender, especially when it is in use. The cutting blades are extremely sharp!
- ▶ DO NOT remove the lid when the appliance is in operation.
- ▶ To ensure you can react immediately in the event of danger, never leave the appliance running unattended.

**⚠ WARNING! RISK OF INJURY!**

- ▶ Do not insert cutlery items or mixing tools into the blender while the appliance is in use. There is a considerable risk of injury if these come into contact with the swiftly rotating cutting blades!
- ▶ Children should be supervised to ensure that they do not play with the appliance.
- ▶ Never use the appliance for purposes other than those described in these instructions.
- ▶ Risk of injury if appliance is misused.
- ▶ The appliance should always be disconnected from the mains when not supervised and before assembly, disassembly or cleaning.
- ▶ This appliance is not to be used by children.
- ▶ The appliance and its mains cable must be kept away from children.
- ▶ This appliance can be used by persons with reduced physical, sensory or mental capabilities or lack of experience and knowledge if they have been given supervision or instruction concerning safe use of the appliance, and if they are aware of the potential risks.
- ▶ Do not allow children to play with the appliance.
- ▶ Be careful when handling the appliance. The cutting blades are extremely sharp!
- ▶ Take care when emptying the blender! The cutting blades are extremely sharp!
- ▶ Take care when cleaning the appliance! The cutting blades are extremely sharp!
- ▶ Switch the appliance off and disconnect the plug from the power supply before changing accessories or getting hold of parts that move during operation.



## **⚠ WARNING! RISK OF INJURY!**

- ▶ Always make sure that the blender is switched off before removing the jug from the motor block!
- ▶ Use the blender only with the supplied motor block!

## **CAUTION! MATERIAL DAMAGE!**

- ▶ Do not use the appliance in direct sunlight or near any heatgenerating appliances.
- ▶ NEVER fill the blender with boiling liquids or other foods! Allow these to cool to a lukewarm temperature.
- ▶ NEVER operate the appliance when it is empty, i.e. without ingredients in the blender attachment.

## **Unpacking**

- Remove all packaging materials or protective films from the appliance. Retain the packaging, so that you can store the appliance safely or send it by post, e.g. if it needs to be repaired.
- Before using the appliance, check that it is free of damage; check also that the power cable and plug as well as all accessories and appliance parts are undamaged.
- Clean all components carefully before using the appliance for the first time (see "Cleaning").

## **Setting up**

Once all components have been cleaned as described in the section "Cleaning":



- Position the appliance so that, ...
  - that the mains cable passes through the recess at the rear of the appliance,
  - the power plug is immediately accessible, so that it can be quickly withdrawn in the event of danger,
  - that it is stable and not liable to slip, and so that the sucker feet can attach firmly and the appliance cannot tip over due to vibration,
  - that the mains cable is not in the working area and thus does not present a risk of being inadvertently snagged and tipping the appliance over.

## Operation


### **WARNING!**

- ▶ The motor switches off automatically as soon as the blender **3** is removed from the motor block **6** or the lid **2** is opened. In such cases it may be easy to forget that the machine is still switched on. The motor will then start unexpectedly as soon as the blender attachment **3** is fitted or the lid **2** is closed again:  
Therefore:
  - Do not insert the power plug into the wall socket until the blender **3** is filled and mounted with its lid fitted and closed.
  - Before fitting the blender, always check to see that the appliance is switched off or that the power plug has been removed.
  - Switch the appliance off first, pull the plug out and wait until the motor has come to a standstill before removing the blender **3** or opening the lid **2**.

## Fitting and filling the blender

- 1) Rotate the blender **3** anticlockwise until the arrow ▼ under the blender **3** handle is located above the  position. Remove the blender **3** from the motor block **6** in a vertical, upward motion.
- 2) Remove the lid **2** by rotating it anticlockwise towards position  (see Fig 1) until you can pull it upwards.
- 3) Fill the blender **3** at least to the lowest line of the scale **4** and at most to the MAX mark. For optimum results, we recommend the following maximum filling quantities:

Food	Max. filling quantity	Recommended level	Recommended processing time
Liquids	1800 ml	1–3	60 sec.
Yoghurt-based drinks	1250 ml	2–5	90 sec.
Milkshakes/smoothies	1250 ml	2–5	60–90 sec.
Pancake mix	1250 ml	3–5	90 sec.
Baby food	750 g	5	3 min.
Mayonnaise	2 eggs 250 ml oil	3–5	90–120 sec.
Vegetable soup	1500 ml	3–5	3 min.
Ice cubes	250 ml	P	12x

- 4) Press the lid **2** firmly down onto the blender **3**. Close the lid **2** by turning it clockwise to position  until it audibly engages (see Fig. 2). Ensure that the pouring spout on the blender **3** is closed. The motor cannot start until the lid **2** is fitted flush.

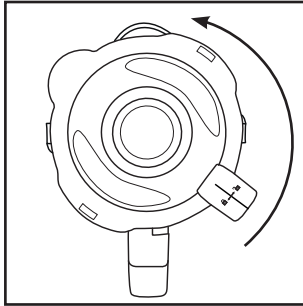


Fig. 1

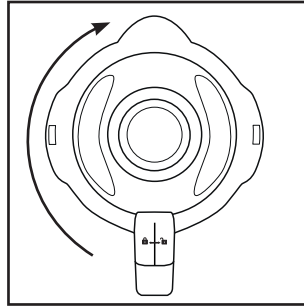





Fig. 2

- 5) Press the measuring cap **1** into the lid as far as the stop.
- 6) Place the filled and closed blender **3** on the motor block **6**. To do this, use the recesses on the motor block **6** and ensure that the arrow  on the blender is pointing to the  symbol while doing so. Turn the blender **3** clockwise to position  until it audibly engages. The motor cannot start until the blender **3** is fitted flush.

## Selecting the speed setting

Once the blender **3** is filled and sitting completely closed on the motor block **6**, you can switch on the appliance.

Set the switch **5** to ...

■ **Level 1 – 3**

for liquids or soft foodstuffs, for mixing, blending and stirring

■ **Level 3 – 5**

for more solid foods or for chopping

■ **Level P (pulse function)**

for short, powerful impulse operation, e.g. for crushing ice cubes or when cleaning. To prevent overloading the motor, the switch **5** does not lock in this position. Therefore, hold the switch **5** in this position for short periods only.

### NOTE

- Fill the blender **3** with a maximum of 180 g of ice cubes. Otherwise, the ice cubes will not be crushed optimally.

## Filling while in use

### WARNING!

- ▶ If you want to add additional foods during operation, use only the measuring cap **1** provided for this purpose. Do NOT open the lid **2**.
- ▶ Do not insert cutlery items or mixing tools into the blender **3** while the appliance is in use. There is a considerable risk of injury if these come into contact with the swiftly rotating cutting blades **4**!

To add more food while the appliance is in use, ...

- 1) Remove the measuring cap **1** from the lid **2**.
- 2) Add the ingredients.
- 3) Press the measuring cap **1** back into the lid.

## Removing the blender

Once you have finished processing the food in the attachment:

- 1) Always start by setting switch **5** to the off position ("0") and pulling out the mains plug.
- 2) Wait until the motor has come to a complete standstill before lifting the blender **3** off the motor block **6**. Rotate the blender **3** anticlockwise until the arrow ▼ under the blender **3** handle is located above the ◀ position. Remove the blender **3** from the motor block **6** in a vertical, upward motion.

## Useful tips

- To achieve the best results when pureeing firm ingredients, add small amounts one after the other into the blender **3** rather than a single large portion.
- When processing firm ingredients, cut them into small pieces (2 - 3 cm).
- Add at least 50 ml of liquid when pureeing fruit or vegetables.
- Add thicker ingredients (such as yoghurt) into the blender **3** first. If any of ingredients are not picked up during mixing, remove the blender **3** from the motor block **6**, remove the lid **2** and stir the ingredients with a suitable implement, such as a spoon. Replace the blender **3** back on the motor block **6** with the lid **2** closed and continue mixing.
- When mixing liquid ingredients, start off with a small amount of liquid. Gradually add more liquids to the mixture through the measuring cap.
- The appliance can be stabilised by placing your hand on top of the closed blender during operation.
- For stirring solid or very thick liquid foods, it can be useful to use level **P** to prevent the cutting blades **4** from blocking.

## NOTE

- ▶ Do not use the appliance to grind crystals of cooking salt, refined sugar or white sugar. For example, to make powdered sugar.

## Recipes

### Banana shake

- 2 bananas
- approx. 2 tbsp. sugar  
(depending on the ripeness of the bananas and personal taste)
- ½ l milk
- 1 dash of lemon juice

Peel the bananas and liquidise them at level 2. Gradually add the milk, then the sugar and the lemon juice. Keep mixing everything until you have a smooth and uniform liquid. Serve the shake chilled.

### Vanilla shake

- ¼ l milk
- 250 g vanilla ice cream
- 125 g ice cubes
- 1½ tsp. sugar

Crush the ice cubes using level **P**. Place the remaining ingredients into the mixer. Mix everything at Level 2 until the liquid has a smooth consistency.

### Cappucino shake

- 65 ml cold espresso (or a very strong coffee)
- 65 ml milk
- 15 g sugar
- 65 g vanilla ice cream
- 100 g ice cubes

Crush the ice cubes using level **P**. Add the espresso, milk and sugar. Mix everything together at level 2 until the sugar has dissolved. Finally, add the vanilla ice cream and then briefly mix everything together at level 1.

## Tropical mix

- 125 ml pineapple juice
- 60 ml papaya juice
- 50 ml orange juice
- ½ small tin of peaches with juice
- 125 g ice cubes

Crush the ice cubes using level **P**. Place all ingredients into the mixer and blend them together at level 3.

## Nut nougat shake

- ½ l milk
- 200 g nut nougat spread
- 1 scoop of vanilla ice cream
- 50 ml cream

Add all the ingredients to the blender and mix at level 3 until everything is evenly blended together.

## Carrot shake

- 300 ml apple juice
- 500 ml carrot juice
- 4 tbsp. cooking oil (wheatgerm oil or rapeseed oil)
- 4 tbsp. of lemon juice
- Powdered ginger
- Pepper

Add the apple juice, cooking oil and lemon juice into the blender and mix everything together at level 2. Then add the carrot juice and mix everything together at level 2. To finish, add the powdered ginger and pepper to taste.

## Blackcurrant mix

- 2 tsp. honey
- 2 bananas
- ¼ l buttermilk
- ¼ l blackcurrant juice

Place all ingredients into the mixer and blend them together at level 3.

## Hawaii shake

- 4 bananas
- ¼ l pineapple juice
- ½ l milk
- 2 tbsp. honey
- ¼ l rum

Peel the bananas and liquidise them at level 2. Then add the other ingredients and mix everything together at level 1.

## Fruity pineapple and strawberry mix

- 250 ml pineapple juice
- 200 g strawberries
- 300 ml apple juice
- 4 ice cubes

Wash the strawberries and remove the green parts. Crush the ice cubes using level **P**. Liquidise them at level 2. Then add the other ingredients and mix everything together at level 1.

## Andalusian cold soup (gazpacho)

- ½ cucumber
- 1 large tomato
- 1 green pepper
- ½ onion
- 1 garlic clove
- ½ white bread roll
- ½ tsp. salt
- 1 tsp. red wine vinegar
- 1 tbsp. olive oil

Cut the vegetables into pieces approx. 2 cm in size. Start by adding the first the tomatoes and then the cucumber to the blender. Liquidise them at level 3. Add the remaining ingredients and then liquidise/blend them all together at level 3 until a smooth soup is created. Serve the soup with bread.

### NOTE

- ▶ These recipes are provided subject to change. All ingredients and preparation information are guiding values. Adapt these recipe suggestions based on your personal experience.


### NOTE

- ▶ In cases of lactose intolerance, we recommend you use a lactose-free milk. Keep in mind, however, that lactose-free milk is a little sweeter.

## Cleaning

### **DANGER! ELECTRIC SHOCK!**

Before starting to clean the blender and its components:

- ▶ Ensure that the motor is switched off and the power plug removed from the socket.
-  Do not immerse the motor block **6** in water or other liquids. This could result in you receiving a fatal electric shock and cause damage to the appliance.
- ▶ Never open the housing of the appliance. Otherwise, there is a risk of a fatal electric shock.

### **WARNING! RISK OF INJURY!**

- ▶ Never insert your hand or fingers into the blender **3**, especially while it is in use. The cutting blades **4** are extremely sharp!

### **CAUTION! PROPERTY DAMAGE!**

- ▶ Do not use solvents or abrasive cleaners on the plastic surfaces, they could be damaged by them.

## Cleaning the blender

- To prevent injuring yourself on the cutting blades **4**, clean the blender **3** only with a long-handled washing-up brush.
- Clean the measuring cap **1** and the lid **2** in mild soap solution. Ensure that the rubber seal **9** is correctly fitted before using the lid **2** again.

### **NOTE**



You can also clean the lid **2**, the measuring cap **1** and the blender **3** with the cutting blade **4** in your dishwasher. If possible, place all the parts in the upper basket of the dishwasher and make sure that they are not jammed in place.

- If you clean the appliance directly after use, you can usually achieve sufficiently hygienic cleaning results by using the following alternatives: Fill the blender **3** with 750 ml of water and add a couple of drops of mild washing up liquid. Close the lid **2** and fit the blender **3** onto the motor block **6**. Insert the mains plug into the socket and activate the pulse function a few times so that the cutting blades **4** plough through the water at maximum speed. Afterwards, rinse the blender **3** with plenty of clean water to remove any washing up liquid residues.



- To remove stubborn dirt, you can remove the attachment **A** with the cutting blades **4** from the jug **B** of the blender **3**:

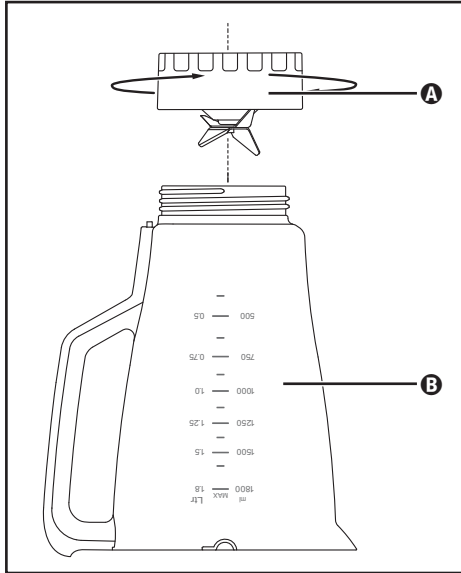


Fig. 3

- 1) Remove the blender **3** from the motor block **6**. For better stability, remove the lid **2** (see fig. 1).
- 2) Turn the appliance upside down and turn the attachment **A** anticlockwise so that it can be detached from the jug **B** (see fig. 3).

**⚠ WARNING! RISK OF INJURY!**

▶ Handle the cutting blades **4** with extreme caution. They are very sharp!

- 3) Clean the attachment **A** and the jug **B** thoroughly in a mild soap solution or in the dishwasher.
- 4) Dry all parts thoroughly before reassembling them.
- 5) Replace the attachment **A** with the cutting blades **4** onto the jug **B** of the blender **3** and turn it clockwise.

## Cleaning the motor block

- 1) Clean the surfaces with a damp cloth. If necessary, apply a mild washing-up liquid to the cloth. Afterwards, wipe off with a cloth moistened only with water to ensure that no detergent remains on the appliance. Then dry the surfaces thoroughly.
- 2) When cleaning, always check that the contact switch in the fitting for the blender **3** is not blocked by soiling residues. If you cannot dislodge any blockages with the corner of a piece of paper, make contact with Customer Services. Do not use any hard objects, these could damage the contact switch.
- 3) Remove any possible residues on the underside of the motor block **6** with a dry cloth or a stiff-bristled brush only. Ensure that nothing can get in through the ventilation openings of the appliance.

## After cleaning

Allow all parts to dry well before reassembling and reusing the liquidiser.

## Storage

- 1) If you do not intend to use the blender for an extended period, clean it thoroughly (see chapter "Cleaning").
- 2) Wrap the mains cable around the cable retainer **7** on the base of the motor block **6** in the direction of the arrow.
- 3) Store the blender in a cool and dry location.

## Disposal



**Do not dispose of the appliance in your normal domestic waste. This product is subject to the provisions of European Directive 2012/19/EU.**

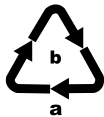
Dispose of the appliance via an approved waste disposal company or your municipal waste disposal facility. Please comply with all applicable regulations. Please contact your waste disposal facility if you are in any doubt.



Your local community or municipal authorities can provide information on how to dispose of the worn-out product.



The product is recyclable, subject to extended producer responsibility and is collected separately.



Note the labelling on the packaging and separate the packaging material components for disposal if necessary. The packaging material is labelled with abbreviations (a) and numbers (b) with the following meanings:

1-7: Plastics,  
20-22: Paper and cardboard,  
80-98: Composites.



The packaging is made from environmentally friendly material and can be disposed of at your local recycling plant.

## **Kompernass Handels GmbH warranty**

Dear Customer,

This appliance has a 3-year warranty valid from the date of purchase. If this product has any faults, you, the buyer, have certain statutory rights. Your statutory rights are not restricted in any way by the warranty described below.

### **Warranty conditions**

The warranty period starts on the date of purchase. Please keep your receipt in a safe place. This will be required as proof of purchase.

If any material or manufacturing fault occurs within three years of the date of purchase of the product, we will either repair or replace the product for you or refund the purchase price (at our discretion). This warranty service requires that you present the defective appliance and the proof of purchase (receipt) within the three-year warranty period, along with a brief written description of the fault and of when it occurred.

If the defect is covered by the warranty, your product will either be repaired or replaced by us. The repair or replacement of a product does not signify the beginning of a new warranty period.

### **Warranty period and statutory claims for defects**

The warranty period is not prolonged by repairs effected under the warranty. This also applies to replaced and repaired components. Any damage and defects present at the time of purchase must be reported immediately after unpacking. Repairs carried out after expiry of the warranty period shall be subject to a fee.

### **Scope of the warranty**

This appliance has been manufactured in accordance with strict quality guidelines and inspected meticulously prior to delivery.

The warranty covers material faults or production faults. The warranty does not extend to product parts subject to normal wear and tear or to fragile parts which could be considered as consumable parts such as switches, batteries or parts made of glass.

The warranty does not apply if the product has been damaged, improperly used or improperly maintained. The directions in the operating instructions for the product regarding proper use of the product are to be strictly followed. Uses and actions that are discouraged in the operating instructions or which are warned against must be avoided.

This product is intended solely for private use and not for commercial purposes. The warranty shall be deemed void in cases of misuse or improper handling, use of force and modifications/repairs which have not been carried out by one of our authorised Service centres.

## Warranty claim procedure

To ensure quick processing of your case, please observe the following instructions:

- Please have the till receipt and the item number (e.g. IAN 123456\_7890) available as proof of purchase.
- You will find the item number on the type plate on the product, an engraving on the product, on the front page of the operating instructions (below left) or on the sticker on the rear or bottom of the product.
- If functional or other defects occur, please contact the service department listed either by **telephone** or by **e-mail**.
- You can return a defective product to us free of charge to the service address that will be provided to you. Ensure that you enclose the proof of purchase (till receipt) and information about what the defect is and when it occurred.



You can download these instructions along with many other manuals, product videos and installation software at [www.lidl-service.com](http://www.lidl-service.com).

This QR code will take you directly to the Lidl service page ([www.lidl-service.com](http://www.lidl-service.com)) where you can open your operating instructions by entering the item number (IAN) 360749\_2007.

## Service

### **GB** Service Great Britain

Tel.: 0800 404 7657

E-Mail: [kompernass@lidl.co.uk](mailto:kompernass@lidl.co.uk)

### **IE** Service Ireland

Tel.: 1890 930 034

(0,08 EUR / Min., (peak))

(0,06 EUR / Min., (off peak))

E-Mail: [kompernass@lidl.ie](mailto:kompernass@lidl.ie)

IAN 360749\_2007

## Importer

Please note that the following address is not the service address. Please use the service address provided in the operating instructions.

KOMPERNASS HANDELS GMBH

BURGSTRASSE 21

44867 BOCHUM

GERMANY

[www.kompernass.com](http://www.kompernass.com)

# Inhaltsverzeichnis

<b>Einleitung</b> .....	<b>20</b>
<b>Bestimmungsgemäßer Gebrauch</b> .....	<b>20</b>
<b>Lieferumfang</b> .....	<b>20</b>
<b>Gerätebeschreibung</b> .....	<b>21</b>
<b>Technische Daten</b> .....	<b>21</b>
<b>Sicherheitshinweise</b> .....	<b>22</b>
<b>Auspacken</b> .....	<b>24</b>
<b>Aufstellen</b> .....	<b>24</b>
<b>Bedienen</b> .....	<b>25</b>
Mixaufsatz befüllen und montieren .....	25
Geschwindigkeitsstufe wählen .....	26
Einfüllen im Betrieb .....	27
Mixaufsatz abnehmen .....	27
<b>Nützliche Hinweise</b> .....	<b>27</b>
<b>Rezepte</b> .....	<b>28</b>
Bananen-Shake .....	28
Vanille-Shake .....	28
Cappuccino-Shake .....	29
Tropical-Mix .....	29
Nuss-Nougat-Shake .....	29
Möhren-Shake .....	29
Johannisbeer-Mix .....	30
Hawaii-Shake .....	30
Fruchtiger Ananas-Erdbeer-Mix .....	30
Andalusische kalte Suppe (Gazpacho) .....	30
<b>Reinigen</b> .....	<b>31</b>
Mixaufsatz reinigen .....	31
Motorblock reinigen .....	33
Nach dem Reinigen .....	33
<b>Aufbewahren</b> .....	<b>33</b>
<b>Entsorgen</b> .....	<b>34</b>
<b>Garantie der Kompernaß Handels GmbH</b> .....	<b>35</b>
Service .....	36
Importeur .....	36

## Einleitung

Herzlichen Glückwunsch zum Kauf Ihres neuen Gerätes. Sie haben sich damit für ein hochwertiges Produkt entschieden. Die Bedienungsanleitung ist Bestandteil dieses Produkts. Sie enthält wichtige Hinweise für Sicherheit, Gebrauch und Entsorgung. Machen Sie sich vor der Benutzung des Produkts mit allen Bedien- und Sicherheitshinweisen vertraut. Benutzen Sie das Produkt nur wie beschrieben und für die angegebenen Einsatzbereiche. Händigen Sie alle Unterlagen bei Weitergabe des Produkts an Dritte mit aus.

## Bestimmungsgemäßer Gebrauch

Dieses Gerät ist ausschließlich bestimmt für ...

- das Mischen, Pürieren und Rühren von Lebensmitteln sowie Zerkleinern von Eiswürfeln (sog. "Crushen"),
- haushaltsübliche Mengen und nur in privaten Haushalten in trockenen Räumen.

Dieses Gerät ist nicht bestimmt für ...

- das Zerkleinern von Kräutern, Zwiebeln, Fleisch und harten Lebensmittelanteilen, wie z. B. Nüsse, Kerne, große Körner oder Stiele,
- die Herstellung von Nussmus,
- das Verarbeiten von Materialien, die nicht Lebensmittel sind,
- den Einsatz für gewerbliche oder industrielle Zwecke,
- die Verwendung in feuchter Umgebung oder im Freien,
- das Verarbeiten von heißen/kochenden Flüssigkeiten.

Verwenden Sie nur Zubehör- und Ersatzteile, die für dieses Gerät bestimmt sind. Andere Teile sind möglicherweise nicht ausreichend geeignet oder sicher!

## Lieferumfang



Kontrollieren Sie nach dem Auspacken die Lieferung auf Vollständigkeit. Im Lieferumfang enthalten ist:

- Motorblock, mit Netzkabel und Netzstecker
- Mixaufsatz
- Deckel
- Dosierkappe
- Bedienungsanleitung

## Gerätebeschreibung

- ❶ Dosierkappe
- ❷ Deckel
- ❸ Mixaufsatz
- ❹ Schneidmesser
- ❺ Schalter
- ❻ Motorblock
- ❼ Kabelaufwicklung
- ❽ Skala
- ❾ Gummidichtung

## Technische Daten

Nennspannung	220-240 V ~ (Wechselstrom), 50-60 Hz
Nennleistung	600 W
Fassungsvermögen	ca. 2,4 Liter
Max. Einfüllmenge	1,8 Liter
Schutzklasse	II /  (Doppelisolierung)
KB-Zeit	3 Minuten
	Alle Teile dieses Gerätes, die mit Lebensmitteln in Berührung kommen, sind lebensmittelecht.

Die KB-Zeit (Kurzbetriebszeit) gibt an, wie lange man ein Gerät betreiben kann, ohne dass der Motor überhitzt und Schaden nimmt. Nach der angegebenen KB-Zeit muss das Gerät so lange ausgeschaltet werden, bis sich der Motor auf Raumtemperatur abgekühlt hat.



## Sicherheitshinweise

### **⚠ GEFAHR! ELEKTRISCHER SCHLAG!**

- ▶ Stellen Sie sicher, dass der Motorblock, das Netzkabel oder der Netzstecker niemals in Wasser oder andere Flüssigkeiten getaucht wird.
- ▶ Verwenden Sie das Gerät ausschließlich in trockenen Räumen, niemals im Freien oder in feuchter Umgebung.
- ▶ Achten Sie darauf, dass im Betrieb das Netzkabel niemals nass oder feucht wird. Führen Sie es so, dass es nicht eingeklemmt oder anderweitig beschädigt werden kann.
- ▶ Wenn die Netzanschlussleitung dieses Gerätes beschädigt wird, muss sie durch den Hersteller oder seinen Kundendienst oder eine ähnlich qualifizierte Person ersetzt werden, um Gefährdungen zu vermeiden.
- ▶ Ziehen Sie nach Gebrauch immer den Stecker aus der Steckdose. Ausschalten alleine genügt nicht, weil noch immer Netzspannung im Gerät anliegt, solange der Netzstecker in der Steckdose steckt.
- ▶ Kontrollieren Sie vor jedem Gebrauch das Gerät auf seinen einwandfreien Zustand. Das Gerät darf nicht verwendet werden, wenn Schäden erkennbar sind, insbesondere am Motorblock oder Mixaufsatz.
- ▶ Ziehen Sie sofort den Netzstecker aus der Steckdose, wenn Sie eine ungewöhnliche Geräusch- oder Geruchsentwicklung wahrnehmen oder bei erkennbarer Fehlfunktion.

### **⚠ WARNUNG! VERLETZUNGSGEFAHR!**

- ▶ Greifen Sie niemals in den Mixaufsatz, insbesondere nicht im Betrieb. Die Schneidmesser sind extrem scharf!
- ▶ Öffnen Sie nicht den Deckel, wenn das Gerät in Betrieb ist.
- ▶ Lassen Sie das Gerät nicht unbeaufsichtigt arbeiten, um bei Gefahr sofort reagieren zu können.

**⚠️ WARNUNG! VERLETZUNGSGEFAHR!**

- ▶ Führen Sie niemals Besteckteile oder Rührgegenstände in den Mixaufsatz, solange das Gerät in Betrieb ist. Es besteht erhebliche Verletzungsgefahr, wenn diese die sich sehr schnell drehenden Schneidmesser berühren!
- ▶ Kinder müssen beaufsichtigt werden, um sicherzustellen, dass sie nicht mit dem Gerät spielen.
- ▶ Missbrauchen Sie das Gerät nicht für andere Zwecke, als in dieser Anleitung beschrieben.
- ▶ Bei Missbrauch des Gerätes besteht Verletzungsgefahr.
- ▶ Das Gerät ist bei nicht vorhandener Aufsicht und vor dem Zusammenbau, dem Auseinandernehmen oder Reinigen stets vom Netz zu trennen.
- ▶ Das Gerät darf nicht von Kindern benutzt werden.
- ▶ Das Gerät und seine Anschlussleitung sind von Kindern fernzuhalten.
- ▶ Dieses Gerät kann von Personen mit reduzierten physischen, sensorischen oder mentalen Fähigkeiten oder Mangel an Erfahrung und/oder Wissen benutzt werden, wenn sie beaufsichtigt oder bezüglich des sicheren Gebrauchs des Gerätes unterwiesen wurden und die daraus resultierenden Gefahren verstanden haben.
- ▶ Kinder dürfen nicht mit dem Gerät spielen.
- ▶ Seien Sie vorsichtig beim Umgang mit dem Gerät. Die Schneidmesser sind sehr scharf!
- ▶ Gehen Sie vorsichtig beim Leeren des Mixaufsatzes vor! Die Schneidmesser sind sehr scharf!
- ▶ Gehen Sie vorsichtig beim Reinigen des Gerätes vor! Die Schneidmesser sind sehr scharf!
- ▶ Schalten Sie das Gerät aus und ziehen Sie den Netzstecker, bevor Sie Zubehör wechseln oder Teile anfassen, die sich während des Betriebs bewegen.

## **⚠️ WARNUNG! VERLETZUNGSGEFAHR!**

- ▶ Stellen Sie sicher, dass der Mixer immer ausgeschaltet ist, bevor Sie ihn vom Motorblock heben!
- ▶ Verwenden Sie den Mixaufsatz nur mit dem mitgelieferten Motorblock!

## **ACHTUNG! SACHSCHADEN!**

- ▶ Verwenden Sie das Gerät nicht im Bereich direkter Sonneneinstrahlung oder in der Nähe hitzezeugender Geräte.
- ▶ Füllen Sie niemals kochende Flüssigkeiten oder sehr heiße Lebensmittel in den Mixaufsatz! Lassen Sie diese erst auf handwarme Temperatur abkühlen!
- ▶ Betreiben Sie das Gerät niemals im Leerzustand, d. h. ohne Zutaten im Mixaufsatz.

## **Auspacken**

- Entfernen Sie alle Verpackungsteile oder Schutzfolien vom Gerät. Bewahren Sie die Verpackung auf, um das Gerät geschützt lagern oder einsenden zu können, z. B. im Reparaturfall.
- Bevor Sie das Gerät verwenden, überzeugen Sie sich davon, dass das Gerät unbeschädigt ist, ebenso das Netzkabel mit Netzstecker und alle Zubehör- und Geräteteile.
- Reinigen Sie sorgfältig alle Bestandteile vor dem ersten Gebrauch des Standmixers (siehe Kapitel „Reinigen“).

## **Aufstellen**

Wenn Sie alle Teile gereinigt haben, wie unter „Reinigen“ beschrieben:

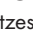

- Stellen Sie das Gerät so auf, ...
  - dass das Netzkabel durch die Aussparung an der Rückseite geführt wird,
  - dass der Netzstecker sofort erreichbar ist, um diesen bei Gefahr aus der Steckdose ziehen zu können,
  - dass es stabil und rutschfest steht, so dass die Saugnäpfe Halt finden, damit bei Vibrationen das Gerät nicht umkippt,
  - dass das Netzkabel nicht in den Arbeitsbereich ragt und durch versehentliches Ziehen daran das Gerät umkippen kann.

## Bedienen


### **WARNUNG**

- ▶ Der Motor schaltet sich aus, sobald der Mixaufsatz **3** vom Motorblock **6** entfernt oder der Deckel **2** geöffnet wird. Es wird dann vielleicht übersehen, dass die Maschine noch eingeschaltet ist. Der Motor startet dann unvermutet, sobald der Mixaufsatz **3** montiert oder der Deckel **2** wieder geschlossen wird. Deshalb:
  - Stecken Sie den Netzstecker erst dann in die Steckdose, sobald der Mixaufsatz **3** fertig befüllt und verschlossen montiert ist.
  - Vergewissern Sie sich vor dem Montieren stets, dass das Gerät ausgeschaltet oder der Netzstecker gezogen ist.
  - Schalten Sie erst aus, ziehen Sie den Netzstecker und warten Sie den Stillstand des Motors ab, bevor Sie den Mixaufsatz **3** abnehmen oder den Deckel **2** öffnen.

## Mixaufsatz befüllen und montieren

- 1) Drehen Sie den Mixaufsatz **3** gegen den Uhrzeigersinn, bis der Pfeil ▼ unter dem Griff des Mixaufsatzes **3** über der Position  steht. Nehmen Sie den Mixaufsatz **3** gerade nach oben vom Motorblock **6** ab.
- 2) Entfernen Sie den Deckel **2**, indem Sie ihn so weit gegen den Uhrzeigersinn Richtung Position  drehen (siehe Abb. 1), bis Sie ihn nach oben abziehen
- 3) Befüllen Sie den Mixaufsatz **3** mindestens bis zum untersten Strich der Skala **3** und maximal bis zur Markierung MAX. Für optimale Ergebnisse empfehlen wir folgende maximale Füllmengen:

Lebensmittel	Maximale Füllmenge	Empfohlene Stufe	Empfohlene Bearbeitungszeit
Flüssigkeiten	1800 ml	1–3	60 Sek.
Joghurt-Mischgetränke	1250 ml	2–5	90 Sek.
Milchshakes/ Smoothies	1250 ml	2–5	60–90 Sek.
Pfannkuchenteig	1250 ml	3–5	90 Sek.
Babybrei	750 g	5	3 Min.
Mayonnaise	2 Eier 250 ml Öl	3–5	90–120 Sek.
Gemüsesuppe	1500 ml	3–5	3 Min.
Eiswürfel	250 ml	P	12x

- 4) Drücken Sie den Deckel **2** versetzt wieder fest auf den Mixaufsatz **3** auf. Schließen Sie den Deckel **2**, indem Sie ihn im Uhrzeigersinn in die Position  drehen, bis er hörbar einrastet (siehe Abb. 2). Achten Sie darauf, dass die Ausgießnase am Mixaufsatz **3** verschlossen ist. Nur wenn der Deckel **2** bündig aufgesetzt ist, kann der Motor starten.

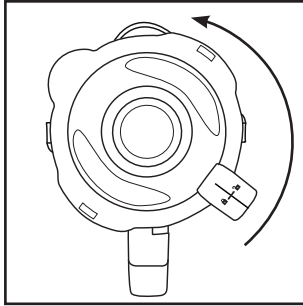


Abb.1

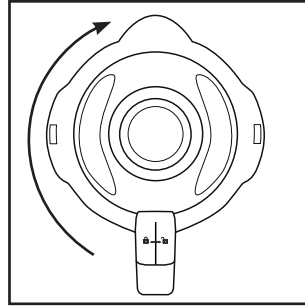




Abb.2

- 5) Drücken Sie die Dosierkappe **1** bis zum Anschlag in die Deckelöffnung.
- 6) Setzen Sie den fertig befüllten und verschlossenen Mixaufsatz **3** auf den Motorblock **6**. Nutzen Sie dazu die Aussparungen am Motorblock **6** und achten Sie dabei darauf, dass der Pfeil ▼ am Mixaufsatz **3** auf das -Symbol zeigt. Drehen Sie den Mixaufsatz **3** im Uhrzeigersinn in die Position , bis er hörbar einrastet. Nur wenn der Mixaufsatz **3** bündig aufgesetzt ist, kann der Motor starten.

## Geschwindigkeitsstufe wählen

Wenn der Mixaufsatz **3** fertig befüllt und vollständig verschlossen auf dem Motorblock **6** steht, können Sie das Gerät einschalten.

Stellen Sie den Schalter **5** auf...

### ■ Stufe 1 – 3

für flüssige oder mittelfeste Lebensmittel, zum Mischen, Pürieren und Rühren

### ■ Stufe 3 – 5

für festere Lebensmittel oder zum Zerkleinern

### ■ Stufe P (Pulsfunktion)

für kurzen, kraftvollen Impulsbetrieb, z. B. zum Crushen von Eiswürfeln oder zur Reinigung. Der Schalter **5** rastet in dieser Stellung nicht ein, um den Motor nicht zu überlasten. Halten Sie den Schalter **5** deshalb nur kurz in dieser Stellung.

## HINWEIS

- Befüllen Sie den Mixaufsatz **3** mit maximal 180 g Eiswürfeln. Ansonsten zerkleinert das Gerät die Eiswürfel nicht optimal.

## Einfüllen im Betrieb

### **WARNUNG**


- ▶ Wenn Sie bei laufendem Betrieb etwas einfüllen möchten, dürfen Sie ausschließlich die dafür eigens vorgesehene Dosierkappe **1** öffnen. Öffnen Sie keinesfalls den Deckel **2**.
- ▶ Führen Sie niemals Besteckteile oder Rührgegenstände in den Mixaufsatz **3**, solange das Gerät in Betrieb ist. Es besteht erhebliche Verletzungsgefahr, wenn diese die sich sehr schnell drehenden Schneidmesser **4** berühren!

Um bei laufendem Betrieb etwas einfüllen zu können, ...

- 1) Ziehen Sie die Dosierkappe **1** aus dem Deckel **2** heraus.
- 2) Füllen Sie die Zutaten ein.
- 3) Drücken Sie die Dosierkappe **1** anschließend wieder in die Deckelöffnung.

## Mixaufsatz abnehmen

Wenn die Bearbeitung der eingefüllten Lebensmittel beendet ist:

- 1) Stellen Sie immer erst den Schalter **5** in Aus-Stellung („0“) und ziehen Sie den Netzstecker.
- 2) Warten Sie erst den Stillstand des Motors ab, bevor Sie den Mixaufsatz **3** vom Motorblock **6** nehmen. Drehen Sie dazu den Mixaufsatz **3** gegen den Uhrzeigersinn, bis der Pfeil ▼ unter dem Griff des Mixaufsatzes **3** über der Position  steht. Nehmen Sie den Mixaufsatz **3** gerade nach oben vom Motorblock **6** ab.

## Nützliche Hinweise

- Um beim Pürieren fester Zutaten beste Ergebnisse zu erzielen, geben Sie nach und nach nur kleine Portionen in den Mixaufsatz **3**, anstatt eine große Menge auf einmal einzufüllen.
- Wenn Sie feste Zutaten verarbeiten, schneiden Sie diese in kleine Stücke (2–3 cm).
- Geben Sie beim Pürieren von Obst oder Gemüse mindestens 50 ml Flüssigkeit hinzu.
- Füllen Sie dickflüssigere Zutaten wie z. B. Joghurt zuerst in den Mixaufsatz **3** ein. Sollten während des Mixens nicht alle Zutaten erfasst werden, nehmen Sie den Mixaufsatz **3** vom Motorblock **6** ab, entfernen Sie den Deckel **2** und rühren Sie die Zutaten z. B. mit einem Löffel um. Setzen Sie den Mixaufsatz **3** mit geschlossenem Deckel **2** wieder auf den Motorblock **6** auf und setzen Sie den Mixvorgang fort.
- Beim Mixen flüssiger Zutaten beginnen Sie zunächst mit einer geringen Menge Flüssigkeit. Geben Sie dann nach und nach mehr Flüssigkeit durch die Deckelöffnung hinzu.

- Wenn Sie bei laufendem Betrieb Ihre Hand oben auf den verschlossenen Standmixer legen, können Sie das Gerät damit gut stabilisieren.
- Für das Rühren von festen oder sehr dickflüssigen Lebensmitteln kann es nützlich sein, die Stufe **P** zu verwenden, um ein Festsetzen der Schneidmesser **4** zu verhindern.

## HINWEIS

- ▶ Benutzen Sie das Gerät nicht, um die Körnung von Speisesalz, Raffinadezucker oder weißem Zucker zu verfeinern, wie z. B., um Puderzucker herzustellen.

## Rezepte

### Bananen-Shake

- 2 Bananen
- ca. 2 Esslöffel Zucker  
(je nach Reifegrad der Bananen und persönlichem Geschmack)
- ½ Liter Milch
- 1 Spritzer Zitronensaft

Schälen Sie die Bananen und pürieren Sie sie auf Stufe 2. Geben Sie nach und nach die Milch, dann den Zucker und den Zitronensaft hinzu. Mixen Sie alles so lange, bis eine gleichmäßige Flüssigkeit entsteht. Servieren Sie den Shake eisgekühlt.

### Vanille-Shake

- ¼ Liter Milch
- 250 g Vanilleeis
- 125 g Eiswürfel
- 1 ½ Teelöffel Zucker

Crushen Sie die Eiswürfel mit der Stufe **P**. Füllen Sie die restlichen Zutaten in den Mixer. Mixen Sie alles so lange auf Stufe 2, bis eine gleichmäßige Flüssigkeit entsteht.

## Cappuccino-Shake

- 65 ml kalten Espresso (oder sehr starken Kaffee)
- 65 ml Milch
- 15 g Zucker
- 65 g Vanilleeis
- 100 g Eiswürfel

Crushen Sie die Eiswürfel mit der Stufe **P**. Geben Sie den Espresso, die Milch und den Zucker hinzu. Mixen Sie alles auf der Stufe **2**, bis sich der Zucker aufgelöst hat. Geben Sie zum Schluss das Vanilleeis hinzu und mixen Sie alles kurz auf der Stufe **1** durch.

## Tropical-Mix

- 125 ml Ananassaft
- 60 ml Papayasaft
- 50 ml Orangensaft
- ½ kleine Dose Pfirsiche mit Saft
- 125 g Eiswürfel

Crushen Sie die Eiswürfel mit der Stufe **P**. Geben Sie alle Zutaten in den Mixer und mischen Sie alles auf Stufe **3** durch.

## Nuss-Nougat-Shake

- ½ Liter Milch
- 200 g Nuss-Nougat-Creme
- 1 Kugel Vanilleeis
- 50 ml Sahne

Vermengen Sie alle Zutaten im Mixer auf Stufe **3**, bis alles gleichmäßig vermischt ist.

## Möhren-Shake

- 300 ml Apfelsaft
- 500 ml Möhrensaft
- 4 Esslöffel Öl (Weizenkeim- oder Rapsöl)
- 4 Esslöffel Zitronensaft
- Ingwerpulver
- Pfeffer

Geben Sie den Apfelsaft, das Öl und den Zitronensaft in den Mixer und mischen Sie alles auf Stufe **2**. Geben Sie dann den Möhrensaft hinzu und mixen Sie alles auf Stufe **2** durch. Schmecken Sie dann den Shake mit Ingwerpulver und Pfeffer ab.



## Johannisbeer-Mix

- 2 Teelöffel Honig
- 2 Bananen
- ¼ Liter Buttermilch
- ¼ Liter Johannisbeersaft (schwarz)

Geben Sie alle Zutaten in den Mixer und mixen Sie alles auf Stufe 3 durch.

## Hawaii-Shake

- 4 Bananen
- ¼ Liter Ananassaft
- ½ Liter Milch
- 2 EL Honig
- ¼ Liter Rum

Schälen Sie die Bananen und pürieren Sie sie auf Stufe 2. Geben Sie die weiteren Zutaten hinzu und vermengen Sie alles auf Stufe 1.

## Fruchtiger Ananas-Erdbeer-Mix

- 250 ml Ananassaft
- 200 g Erdbeeren
- 300 ml Apfelsaft
- 4 Eiswürfel

Waschen Sie die Erdbeeren und entfernen Sie das Grün. Crushen Sie die Eiswürfel mit der Stufe **P**. Pürieren Sie sie auf Stufe 2. Geben Sie dann die restlichen Zutaten hinzu und mixen Sie alles auf Stufe 1.

## Andalusische kalte Suppe (Gazpacho)

- ½ Gurke
- 1 Fleischtomate
- 1 grüne Paprika
- ½ Zwiebel
- 1 Knoblauchzehe
- ½ weißes Brötchen
- ½ Teelöffel Salz
- 1 Teelöffel Rotweinessig
- 1 Esslöffel Olivenöl

Schneiden Sie das Gemüse in ca. 2 cm große Stücke. Geben Sie zuerst die Tomatenstücke und danach die Gurke in den Mixer. Pürieren Sie diese auf Stufe 3. Fügen Sie die restlichen Zutaten hinzu und pürieren/durchmengen Sie alles auf Stufe 3, bis eine gleichmäßige Suppe entsteht. Servieren Sie das ganze mit Brot.

## HINWEIS

- ▶ Rezepte ohne Gewähr. Alle Zutaten- und Zubereitungsangaben sind Anhaltswerte. Ergänzen Sie diese Rezeptvorschläge um Ihre persönlichen Erfahrungswerte.


## HINWEIS

- ▶ Bei Laktose-Intoleranz empfehlen wir Ihnen, laktosefreie Milch zu verwenden. Bedenken Sie dabei jedoch, dass laktosefreie Milch ein wenig süßer schmeckt.

## Reinigen

### STROMSCHLAGEFAHR!

Bevor Sie den Standmixer und seine Teile reinigen:

- ▶ Stellen Sie sicher, dass das Gerät ausgeschaltet und der Netzstecker gezogen ist.
-  Auf keinen Fall darf der Motorblock **6** in Wasser oder andere Flüssigkeiten getaucht werden. Hierdurch kann Lebensgefahr durch elektrischen Schlag entstehen und das Gerät kann beschädigt werden.
- ▶ Öffnen Sie niemals das Gehäuse des Gerätes. Andernfalls kann Lebensgefahr bestehen durch elektrischen Schlag.

### WARNUNG! VERLETZUNGSGEFAHR!

- ▶ Greifen Sie niemals in den Mixaufsatz **3**, insbesondere nicht im Betrieb. Die Schneidmesser **4** sind sehr scharf!

### ACHTUNG! SACHSCHADEN!

- ▶ Verwenden Sie keine Lösungs- oder Scheuermittel für die Kunststoffflächen, diese können andernfalls beschädigt werden.

## Mixaufsatz reinigen

- Reinigen Sie den Mixaufsatz **3** nur mit einer langstieligen Spülbürste, so dass Sie sich nicht an den Schneidmessern **4** verletzen können.
- Reinigen Sie die Dosierkappe **1** und den Deckel **2** in milder Seifenlauge. Achten Sie darauf, dass die Gummidichtung **9** richtig sitzt, bevor Sie den Deckel **2** erneut verwenden.

## HINWEIS



Sie können den Deckel **2**, die Dosierkappe **1** und den Mixaufsatz **3** mit den Schneidmessern **4** auch in der Spülmaschine reinigen. Legen Sie die Teile möglichst in den oberen Korb der Spülmaschine und achten Sie darauf, sie nicht einzuklemmen.

- Wenn Sie das Gerät direkt nach der Benutzung reinigen, erzielen Sie in den meisten Fällen ausreichende hygienische Reinigung durch folgende Alternative:  
Füllen Sie den Mixaufsatz **3** mit 750 ml Wasser und geben Sie einige Tropfen eines milden Spülmittels dazu. Schließen Sie den Deckel **2** und setzen Sie den Mixaufsatz **3** auf den Motorblock **6**. Stecken Sie den Netzstecker in eine Steckdose und betätigen Sie ein paar Mal die Pulsfunktion, so dass die Schneidmesser **4** mit maximaler Drehzahl durch das Wasser pflügen. Spülen Sie danach den Mixaufsatz **3** mit viel klarem Wasser aus, so dass alle Spülmittelreste beseitigt sind.
- Um hartnäckige Verschmutzungen besser entfernen zu können, können Sie den Aufsatz **A** mit den Schneidmessern **4** vom Behälter **B** des Mixaufsatzes **3** lösen:

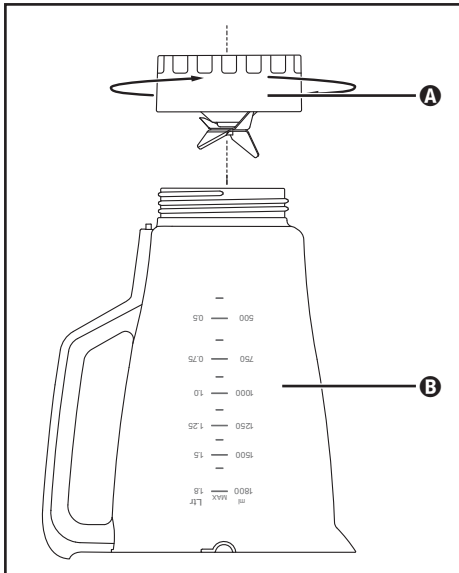


Abb. 3

- 1) Nehmen Sie den Mixaufsatz **3** vom Motorblock **6**. Entfernen Sie für eine bessere Standfestigkeit den Deckel **2** (siehe Abb. 1).
- 2) Stellen Sie das Gerät auf den Kopf und drehen Sie den Aufsatz **A** gegen den Uhrzeigersinn, so dass er sich vom Behälter **B** lösen lässt (siehe Abb. 3).

## **⚠ WARNUNG! VERLETZUNGSGEFAHR!**

► Gehen Sie vorsichtig mit den Schneidmessern **4** um. Sie sind sehr scharf!

- 3) Reinigen Sie den Aufsatz **A** und den Behälter **B** gründlich in milder Seifenlauge oder in der Spülmaschine.
- 4) Trocknen Sie alle Teile gründlich ab, bevor Sie sie wieder zusammenbauen.
- 5) Setzen Sie Aufsatz **A** mit den Schneidmessern **4** wieder auf den Behälter **B** des Mixaufsatzes **3** und drehen Sie ihn im Uhrzeigersinn fest.

## **Motorblock reinigen**

- 1) Reinigen Sie die Oberflächen mit einem feuchten Tuch. Geben Sie bei Bedarf ein mildes Spülmittel auf das Tuch. Wischen Sie mit einem nur mit Wasser befeuchteten Tuch nach, um eventuelle Spülmittelreste zu entfernen. Trocknen Sie die Oberflächen danach gut ab.
- 2) Kontrollieren Sie bei jeder Reinigung, dass der Kontaktschalter in der Aufnahme für den Mixaufsatz **3** nicht durch Schmutzreste blockiert ist. Wenn Sie eventuelle Blockierungen nicht mit der Ecke von einem Blatt Papier lösen können, wenden Sie sich an den Kundendienst. Verwenden Sie auf keinen Fall einen harten Gegenstand, der Kontaktschalter könnte dadurch beschädigt werden.
- 3) Entfernen Sie eventuelle Verschmutzungen an der Unterseite des Motorblocks **6** ausschließlich mit einem trockenen Tuch oder einem Staubpinsel. Achten Sie darauf, dass nichts durch die Lüftungsöffnungen in das Gerät gelangt.

## **Nach dem Reinigen**

Lassen Sie alle Teile gut trocknen, bevor Sie das Gerät wieder zusammensetzen und verwenden.

## **Aufbewahren**

- 1) Wenn Sie den Standmixer längere Zeit nicht verwenden, reinigen Sie ihn gründlich (siehe Kapitel „Reinigen“).
- 2) Wickeln Sie das Netzkabel in Pfeilrichtung um die Kabelaufwicklung **7** am Boden des Motorblocks **6**.
- 3) Bewahren Sie das Gerät an einem kühlen, trockenen Ort auf.

## Entsorgen



**Werfen Sie das Gerät keinesfalls in den normalen Hausmüll. Dieses Produkt unterliegt der europäischen Richtlinie 2012/19/EU.**

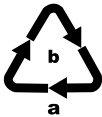
Entsorgen Sie das Gerät über einen zugelassenen Entsorgungsbetrieb oder über Ihre kommunale Entsorgungseinrichtung. Beachten Sie die aktuell geltenden Vorschriften. Setzen Sie sich im Zweifelsfall mit Ihrer Entsorgungseinrichtung in Verbindung.



Möglichkeiten zur Entsorgung des ausgedienten Produkts erfahren Sie bei Ihrer Gemeinde- oder Stadtverwaltung.



Das Produkt ist recycelbar, unterliegt einer erweiterten Herstellerverantwortung und wird getrennt gesammelt.



Beachten Sie die Kennzeichnung auf den verschiedenen Materialien und trennen Sie diese gegebenenfalls gesondert. Die Materialien sind gekennzeichnet mit Abkürzungen (a) und Ziffern (b) mit folgender Bedeutung:

1-7: Kunststoffe,  
20-22: Papier und Pappe,  
80-98: Verbundstoffe.



Die Verpackung besteht aus umweltfreundlichen Materialien, die Sie über die örtlichen Recyclingstellen entsorgen können.

## Garantie der Kompernaß Handels GmbH

Sehr geehrte Kundin, sehr geehrter Kunde,

Sie erhalten auf dieses Gerät 3 Jahre Garantie ab Kaufdatum. Im Falle von Mängeln dieses Produkts stehen Ihnen gegen den Verkäufer des Produkts gesetzliche Rechte zu. Diese gesetzlichen Rechte werden durch unsere im Folgenden dargestellte Garantie nicht eingeschränkt.

### Garantiebedingungen

Die Garantiefrist beginnt mit dem Kaufdatum. Bitte bewahren Sie den Kassensbon gut auf. Dieser wird als Nachweis für den Kauf benötigt.

Tritt innerhalb von drei Jahren ab dem Kaufdatum dieses Produkts ein Material- oder Fabrikationsfehler auf, wird das Produkt von uns – nach unserer Wahl – für Sie kostenlos repariert, ersetzt oder der Kaufpreis erstattet. Diese Garantieleistung setzt voraus, dass innerhalb der Dreijahresfrist das defekte Gerät und der Kaufbeleg (Kassensbon) vorgelegt und schriftlich kurz beschrieben wird, worin der Mangel besteht und wann er aufgetreten ist.

Wenn der Defekt von unserer Garantie gedeckt ist, erhalten Sie das reparierte oder ein neues Produkt zurück. Mit Reparatur oder Austausch des Produkts beginnt kein neuer Garantiezeitraum.

### Garantiezeit und gesetzliche Mängelansprüche

Die Garantiezeit wird durch die Gewährleistung nicht verlängert. Dies gilt auch für ersetzte und reparierte Teile. Eventuell schon beim Kauf vorhandene Schäden und Mängel müssen sofort nach dem Auspacken gemeldet werden. Nach Ablauf der Garantiezeit anfallende Reparaturen sind kostenpflichtig.

### Garantieumfang

Das Gerät wurde nach strengen Qualitätsrichtlinien sorgfältig produziert und vor Auslieferung gewissenhaft geprüft.

Die Garantieleistung gilt für Material- oder Fabrikationsfehler. Diese Garantie erstreckt sich nicht auf Produktteile, die normaler Abnutzung ausgesetzt sind und daher als Verschleißteile angesehen werden können oder für Beschädigungen an zerbrechlichen Teilen, z. B. Schalter, Akkus oder Teile, die aus Glas gefertigt sind.

Diese Garantie verfällt, wenn das Produkt beschädigt, nicht sachgemäß benutzt oder gewartet wurde. Für eine sachgemäße Benutzung des Produkts sind alle in der Bedienungsanleitung aufgeführten Anweisungen genau einzuhalten. Verwendungszwecke und Handlungen, von denen in der Bedienungsanleitung abgeraten oder vor denen gewarnt wird, sind unbedingt zu vermeiden.

Das Produkt ist nur für den privaten und nicht für den gewerblichen Gebrauch bestimmt. Bei missbräuchlicher und unsachgemäßer Behandlung, Gewaltanwendung und bei Eingriffen, die nicht von unserer autorisierten Serviceniederlassung vorgenommen wurden, erlischt die Garantie.

## Abwicklung im Garantiefall

Um eine schnelle Bearbeitung Ihres Anliegens zu gewährleisten, folgen Sie bitte den folgenden Hinweisen:

- Bitte halten Sie für alle Anfragen den Kassensbon und die Artikelnummer (z. B. IAN 123456\_7890) als Nachweis für den Kauf bereit.
- Die Artikelnummer entnehmen Sie bitte dem Typenschild am Produkt, einer Gravur am Produkt, dem Titelblatt der Bedienungsanleitung (unten links) oder dem Aufkleber auf der Rück- oder Unterseite des Produktes.
- Sollten Funktionsfehler oder sonstige Mängel auftreten, kontaktieren Sie zunächst die nachfolgend benannte Serviceabteilung **telefonisch** oder per **E-Mail**.
- Ein als defekt erfasstes Produkt können Sie dann unter Beifügung des Kaufbelegs (Kassensbon) und der Angabe, worin der Mangel besteht und wann er aufgetreten ist, für Sie portofrei an die Ihnen mitgeteilte Serviceanschrift übersenden.



Auf [www.lidl-service.com](http://www.lidl-service.com) können Sie diese und viele weitere Handbücher, Produktvideos und Installationssoftware herunterladen.

Mit diesem QR-Code gelangen Sie direkt auf die Lidl-Service-Seite ([www.lidl-service.com](http://www.lidl-service.com)) und können mittels der Eingabe der Artikelnummer (IAN) 360749\_2007 Ihre Bedienungsanleitung öffnen.

## Service

### DE Service Deutschland

Tel.: 0800 5435 111 (kostenfrei aus dem dt. Festnetz/Mobilfunknetz)  
E-Mail: [kompernass@lidl.de](mailto:kompernass@lidl.de)

### AT Service Österreich

Tel.: 0820 201 222 (0,15 EUR/Min.)  
E-Mail: [kompernass@lidl.at](mailto:kompernass@lidl.at)

### CH Service Schweiz

Tel.: 0842 665566 (0,08 CHF/Min., Mobilfunk max. 0,40 CHF/Min.)  
E-Mail: [kompernass@lidl.ch](mailto:kompernass@lidl.ch)

IAN 360749\_2007

## Importeur

Bitte beachten Sie, dass die folgende Anschrift keine Serviceanschrift ist. Kontaktieren Sie zunächst die benannte Servicestelle.

KOMPERNASS HANDELS GMBH  
BURGSTRASSE 21  
44867 BOCHUM  
DEUTSCHLAND  
[www.kompernass.com](http://www.kompernass.com)

## Sommaire

<b>Introduction</b> . . . . .	<b>38</b>
<b>Usage en bonne et due forme</b> . . . . .	<b>38</b>
<b>Accessoires fournis</b> . . . . .	<b>38</b>
<b>Description de l'appareil</b> . . . . .	<b>39</b>
<b>Caractéristiques techniques</b> . . . . .	<b>39</b>
<b>Instructions relatives à la sécurité</b> . . . . .	<b>40</b>
<b>Déballage</b> . . . . .	<b>42</b>
<b>Installation</b> . . . . .	<b>42</b>
<b>Utilisation</b> . . . . .	<b>43</b>
Remplir et monter le bol mixeur . . . . .	43
Sélectionner le niveau de vitesse . . . . .	44
Remplissage en marche . . . . .	45
Déposer le bol mixeur . . . . .	45
<b>Remarques utiles</b> . . . . .	<b>45</b>
<b>Recettes</b> . . . . .	<b>46</b>
Shake à la banane . . . . .	46
Shake à la vanille . . . . .	46
Shake au cappuccino . . . . .	46
Mix tropical . . . . .	47
Shake à la nougatine . . . . .	47
Shake aux carottes . . . . .	47
Mix de cassis . . . . .	47
Shake Hawaii . . . . .	48
Mix fruité ananas-fraise . . . . .	48
Soupe froide andalouse (gazpacho) . . . . .	48
<b>Nettoyage</b> . . . . .	<b>49</b>
Nettoyage du bol mixeur . . . . .	49
Nettoyage du bloc-moteur . . . . .	51
Après nettoyage . . . . .	51
<b>Rangement de l'appareil</b> . . . . .	<b>51</b>
<b>Mise au rebut</b> . . . . .	<b>52</b>
<b>Garantie pour Kompnass Handels GmbH pour la Belgique</b> . . . . .	<b>53</b>
<b>Garantie pour Kompnass Handels GmbH pour la France</b> . . . . .	<b>55</b>
<b>Service après-vente</b> . . . . .	<b>58</b>
<b>Importateur</b> . . . . .	<b>58</b>



## Introduction

Toutes nos félicitations pour l'achat de votre nouvel appareil.

Vous avez choisi un produit de grande qualité. Le mode d'emploi fait partie de ce produit. Il contient des remarques importantes concernant la sécurité, l'utilisation et la mise au rebut. Veuillez vous familiariser avec l'ensemble des consignes d'opération et de sécurité avant l'usage du produit. N'utilisez le produit que conformément aux consignes et pour les domaines d'utilisation prévus. En cas de transfert du produit à un tiers, remettez-lui également tous les documents.

## Usage en bonne et due forme

Cet appareil sert exclusivement à ...

- mélanger, réduire en purée et remuer des aliments, ainsi qu'à broyer des glaçons,
- exclusivement pour des quantités habituelles pour un usage domestique et uniquement pour un usage privé dans des locaux secs.

Cet appareil n'est pas prévu pour ...

- broyer des herbes aromatiques, des oignons, de la viande et des produits alimentaires durs tels que noix, noyaux, gros grains ou tiges,
- préparer de la purée de noix,
- travailler des matières autres que des denrées alimentaires,
- une utilisation commerciale ou industrielle,
- une utilisation en environnement humide ou à l'extérieur,
- transformer des liquides chauds/bouillants.

Utilisez uniquement les accessoires et les pièces de rechange destinés à cet appareil. D'autres pièces risquent de ne pas convenir ou de ne pas être suffisamment sûres !

## Accessoires fournis



Vérifiez après déballage que toutes les pièces sont fournies. Les accessoires livrés sont les suivants :

- bloc moteur avec cordon d'alimentation et fiche secteur
- bol mixeur
- couvercle
- bouchon doseur
- mode d'emploi

## Description de l'appareil

- ❶ Bouchon doseur
- ❷ Couvercle
- ❸ Bol mixeur
- ❹ Lames
- ❺ Sélecteur
- ❻ Bloc moteur
- ❼ Enroulement du cordon d'alimentation
- ❽ Graduation
- ❾ Joint caoutchouc couvercle

## Caractéristiques techniques

Tension nominale	220 - 240 V ~ (courant alternatif), 50 - 60 Hz
Puissance nominale	600 W
Capacité	env. 2,4 litres
Quantité max.	1,8 litre
Classe de protection	II /  (double isolation)
Durée d'utilisation par intermittence	3 minutes
	Tous les éléments de cet appareil, entrant en contact avec les aliments sont approuvés pour le contact alimentaire.

La durée d'utilisation par intermittence indique pendant combien de temps l'appareil peut être opéré, sans que le moteur ne surchauffe ou subisse de dommages. Une fois la durée d'utilisation par intermittence écoulée, l'appareil doit rester éteint jusqu'à ce que le moteur ait refroidi à température ambiante.

## Instructions relatives à la sécurité

### **DANGER ! RISQUE D'ÉLECTROCUTION !**

- ▶ Veillez à ne pas immerger le bloc moteur, le cordon d'alimentation ou la fiche secteur dans l'eau ou tout autre liquide.
- ▶ Utilisez l'appareil uniquement dans des pièces sèches, et jamais à l'extérieur ou dans un environnement humide.
- ▶ Assurez-vous que le cordon d'alimentation ne soit jamais humide ou mouillé lorsque l'appareil est en marche. Disposez le cordon de manière à éviter qu'il ne soit coincé ou endommagé.
- ▶ Faites immédiatement remplacer la fiche secteur ou le cordon d'alimentation endommagé par un technicien spécialisé ou par le service après-vente afin d'éviter tout danger.
- ▶ Après utilisation, veuillez retirer la fiche de la prise secteur. Il ne suffit pas d'éteindre l'appareil, en raison de la présence de courant dans ce dernier s'il reste branché.
- ▶ Avant toute utilisation, vérifiez que l'appareil est en parfait état. Ne pas utiliser l'appareil si vous constatez des dommages, en particulier au niveau du bloc moteur ou du bol mixeur.
- ▶ Débranchez immédiatement la fiche secteur de la prise si vous constatez une fumée ou une odeur inhabituelle ou un dysfonctionnement identifiable.

### **AVERTISSEMENT ! RISQUE DE BLESSURES !**

- ▶ Ne mettez jamais les doigts dans le bol mixeur. Les lames sont extrêmement tranchantes !
- ▶ N'ouvrez pas le couvercle lorsque l'appareil est en marche.
- ▶ Ne mettez jamais de couvert ou d'ustensile pour remuer à l'intérieur du bol mixeur lorsque l'appareil est en marche. Vous risquez de graves blessures s'ils entrent en contact avec la lame en rotation rapide !

**⚠ AVERTISSEMENT ! RISQUE DE BLESSURES !**

- ▶ Ne laissez pas l'appareil sans surveillance afin de pouvoir réagir immédiatement en cas de danger.
- ▶ Les enfants doivent être surveillés afin d'éviter qu'ils ne jouent avec l'appareil.
- ▶ N'utilisez pas l'appareil à d'autres fins que celles décrites dans ce mode d'emploi.
- ▶ En cas d'usage abusif, il existe un risque de blessures.
- ▶ En cas d'absence de surveillance et avant l'assemblage, le désassemblage ou le nettoyage, l'appareil doit toujours être débranché du secteur.
- ▶ L'appareil ne doit pas être utilisé par des enfants.
- ▶ Tenir l'appareil et son cordon de raccordement à l'écart des enfants.
- ▶ Cet appareil peut être utilisé par des personnes ayant des capacités physiques, sensorielles ou mentales réduites ou disposant de peu d'expérience et/ou de connaissances, à condition qu'elles soient surveillées ou qu'elles aient été initiées à l'utilisation sécurisée de l'appareil et qu'elles aient compris les dangers en résultant.
- ▶ Ne pas laisser les enfants jouer avec l'appareil.
- ▶ Soyez prudent en manipulant l'appareil. Les lames sont très tranchantes !
- ▶ Procédez avec la plus grande prudence lorsque vous videz le bol mixeur. Les lames sont très tranchantes !
- ▶ Procédez avec la plus grande prudence lorsque vous nettoyez l'appareil ! Les lames sont très tranchantes !
- ▶ Éteignez l'appareil et débranchez la fiche réseau avant de remplacer des accessoires ou de saisir des pièces mobiles lors du fonctionnement.

## **⚠ AVERTISSEMENT ! RISQUE DE BLESSURES !**

- ▶ Utilisez le bol mixeur exclusivement avec le bloc moteur compris dans la livraison !
- ▶ Assurez-vous que le mixer soit toujours éteint avant de retirer le bol mixeur du bloc moteur !

## **ATTENTION ! DÉGÂTS MATÉRIELS !**

- ▶ N'utilisez pas l'appareil sous l'exposition directe du soleil ou de la chaleur émise par des appareils chauffants.
- ▶ Ne versez jamais de liquides brûlants dans le bol mixeur. Laissez-les refroidir auparavant à température ambiante.
- ▶ N'opérez jamais l'appareil lorsqu'il est vide, c'est-à-dire sans ingrédients dans le bol mixeur.

## **Déballage**

- Retirez tous les éléments d'emballage ou films de protection de l'appareil. Conservez l'emballage, pour pouvoir entreposer ou expédier l'appareil en toute sécurité, par ex. en cas de réparation.
- Avant d'utiliser l'appareil, assurez-vous qu'il ne présente pas de dommages, et que le cordon d'alimentation avec fiche secteur et tous les accessoires et composants de l'appareil ne sont pas endommagés.
- Nettoyez soigneusement tous les composants avant le premier usage du mixeur (voir «Nettoyage»)

## **Installation**

Lorsque vous avez nettoyé toutes les pièces comme indiqué sous «Nettoyage» :



- Disposez l'appareil de telle manière ...
  - que le cordon d'alimentation soit acheminé à travers l'évidement au dos,
  - que la fiche secteur soit immédiatement accessible pour pouvoir la débrancher de la prise en cas de danger.
  - qu'il soit stable et ne dérape pas, afin que les ventouses se maintiennent et ne se renversent pas en cas de vibrations.
  - que la fiche secteur ne dépasse pas sur la zone de travail et ne risque pas de faire basculer l'appareil en tirant dessus involontairement.

## Utilisation


### AVERTISSEMENT !

- ▶ Le moteur s'éteint dès que le bol mixeur **3** est détaché du bloc moteur **6** ou que le couvercle **2** est ouvert. Dans ce cas, il y a risque d'oublier que l'appareil est encore allumé. Dès que l'on repose le bol mixeur **3** ou que le couvercle **2** est à nouveau refermé, le moteur démarre d'un coup :
  - Attendez pour brancher la fiche secteur dans la prise que le bol mixeur **3** soit complètement rempli et soit monté fermé.
  - Avant de procéder au montage, assurez-vous que l'appareil est éteint ou que la fiche secteur est débranchée.
  - Commencez par éteindre l'appareil, débranchez la fiche secteur de la prise de courant et attendez que le moteur se soit immobilisé avant de retirer le bol mixeur **3** ou d'ouvrir le couvercle **2**.

## Remplir et monter le bol mixeur

- 1) Tournez le bol mixeur **3** dans le sens anti-horaire jusqu'à ce que la flèche ▼ située sous la poignée du bol mixeur **3** se trouve sur la position . Détachez le bol mixeur **3** tout droit vers le haut du bloc moteur **6**.
- 2) Retirez le couvercle **2** en le tournant dans le sens anti-horaire en direction de la position  (voir fig. 1), jusqu'à pouvoir le retirer par le haut.
- 3) Remplissez le bol mixeur **3** au minimum jusqu'au trait inférieur de la graduation **3** et au maximum jusqu'au repère MAX. Pour d'excellents résultats, nous recommandons les quantités maximales suivantes :

Aliments	Quantité de remplissage maximale	Niveau recommandé	Durée de fonctionnement recommandée
Liquides	1 800 ml	1-3	60 sec.
Boissons mélangées au yaourt	1 250 ml	2-5	90 sec.
Milkshakes/ smoothies	1 250 ml	2-5	60-90 sec.
Pâte à crêpes	1 250 ml	3-5	90 sec.
Bouillie pour bébé	750 g	5	3 min.
Mayonnaise	2 œufs 250 ml d'huile	3-5	90-120 sec.
Soupe aux légumes	1 500 ml	3-5	3 min.
Glaçons	250 ml	P	12x

- 4) Appuyez à nouveau fermement le couvercle **2** sur le bol mixeur **3** de manière décalée. Refermez le couvercle **2** en le tournant dans le sens horaire jusqu'à ce qu'il enclante audiblement en position  (voir fig. 2). Veillez à ce que le bec verseur du bol mixeur **3** soit fermé. Le moteur ne peut démarrer que si le couvercle **2** est posé de manière alignée.

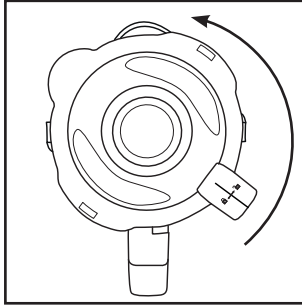


Fig. 1

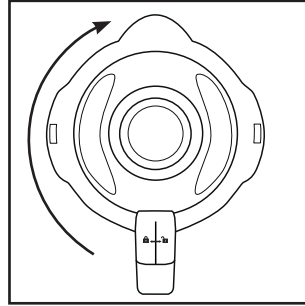




Fig. 2

- 5) Poussez le bouchon doseur **1** jusqu'en butée dans l'ouverture du couvercle.
- 6) Placez le bol mixeur **3** rempli et fermé sur le bloc moteur **6**. Utilisez pour cela les évidements du bloc moteur **6** et veillez ce faisant à ce que la flèche ▼ sur le bol mixeur pointe sur le symbole . Tournez le bol mixeur **3** dans le sens horaire, jusque sur la position  jusqu'à ce qu'il enclante audiblement. Le moteur ne peut démarrer que si le bol mixeur **3** est posé de manière alignée.

## Sélectionner le niveau de vitesse

Une fois que le bol mixeur **3** est rempli et qu'il repose complètement fermé sur le bloc moteur **6**, vous pouvez allumer l'appareil.

Amenez le sélecteur **5** sur ...

### ■ Niveaux 1-3

pour les aliments liquides ou semi-solides pour mélanger, réduire en purée et malaxer

### ■ Niveaux 3-5

pour les aliments solides ou pour mettre en morceaux

### ■ Niveau P (fonction à impulsions)

pour un mode d'opération à impulsions court et puissant, par ex. pour broyer les glaçons ou pour le nettoyage. L'interrupteur **5** ne s'enclenche pas dans cette position, pour ne pas surcharger le moteur. Par conséquent, ne maintenez pas longtemps l'interrupteur **5** dans cette position.

### REMARQUE

- Remplissez le bol mixeur **3** avec 180 g de glaçons au maximum. Sinon, l'appareil ne parviendra pas au broyage optimal des glaçons.

## Remplissage en marche

### **AVERTISSEMENT !**


- ▶ Pour ajouter quelque chose lorsque l'appareil est en marche, utilisez uniquement le bouchon doseur **1** prévu à cet effet. N'ouvrez pas le couvercle **2**.
- ▶ N'introduisez pas de couvert ou d'ustensile pour remuer à l'intérieur du bol mixeur **3** lorsque l'appareil est en marche. Vous risquez de graves blessures s'ils entrent en contact avec les lames **4** en rotation rapide !

Pour pouvoir verser quelque chose alors que l'appareil est en marche, ...

- 1) Retirez le bouchon doseur **1** du couvercle **2**.
- 2) Remplissez les ingrédients.
- 3) Poussez ensuite à nouveau le bouchon doseur **1** jusqu'en butée dans l'ouverture du couvercle.

## Déposer le bol mixeur

Une fois la transformation des produits alimentaires terminée :

- 1) Ramenez toujours le sélecteur **5** sur la position Arrêt («0») et débranchez la fiche secteur.
- 2) Attendez que le moteur se soit immobilisé avant de détacher le bol mixeur **3** du bloc moteur **6**. Pour cela, tournez le bol mixeur **3** dans le sens anti-horaire jusqu'à ce que la flèche ▼ située sous la poignée du bol mixeur **3** se trouve au-dessus de la position . Détachez le bol mixeur **3** tout droit vers le haut du bloc moteur **6**.

## Remarques utiles

- Afin d'atteindre de meilleurs résultats lors de la réduction en purée, ajoutez petit à petit des petites portions dans le bol mixeur **3** au lieu de remplir une grande quantité d'un seul coup.
- Si vous travaillez avec des aliments solides, coupez ces derniers en petits morceaux (2-3 cm).
- Ajoutez au moins 50 ml de liquide lorsque vous mixez des fruits ou des légumes.
- Commencez par remplir des ingrédients épais comme par ex. du yaourt dans le bol mixeur **3**. Si tous les ingrédients ne sont pas saisis pendant que l'appareil mixe, retirez le bol mixeur **3** du bloc moteur **6**, enlevez le couvercle **2** et mélangez les ingrédients par ex. avec une cuillère. Placez à nouveau le bol mixeur **3** avec le couvercle **2** fermé sur le bloc moteur **6** et continuez de mixer.



- Si vous mélangez des aliments liquides, commencez avec un petit volume liquide. Rajoutez petit à petit de plus en plus de liquide à travers l'ouverture du couvercle.
- Pour stabiliser l'appareil lorsqu'il est en marche, posez la main sur le batteur-mélangeur fermé.
- Pour mélanger des produits alimentaires fermes ou très épais, il pourra être utile d'utiliser le niveau **P** pour empêcher un coincement des lames ④.

## REMARQUE

- N'utilisez pas l'appareil pour réduire la granularité du sel alimentaire, du sucre cristallisé ou du sucre blanc, par exemple pour obtenir du sucre en poudre.

## Recettes

### Shake à la banane

- 2 bananes
- env. 2 c-à-s de sucre (selon le degré de maturité des bananes et les préférences personnelles)
- ½ l de lait
- 1 goutte de jus de citron

Pelez les bananes et réduisez-les en purée à niveau 2. Ajoutez progressivement le lait, puis le sucre et le jus de citron. Mixez le tout jusqu'à obtenir un liquide homogène. Servez le shake glacé.

### Shake à la vanille

- ¼ l de lait
- 250 g de glace à la vanille
- 125 g de glaçons
- 1 ½ c-à-c de sucre

Pilez les glaçons avec le niveau **P**. Remplissez le reste d'ingrédients dans le mixeur. Mixez sur niveau 2 jusqu'à obtention d'un liquide uniforme.

### Shake au cappuccino

- 65 ml d'expresso froid (ou de café très serré)
- 65 ml de lait
- 15 g de sucre
- 65 g de glace à la vanille
- 100 g de glaçons

Pilez les glaçons avec le niveau **P**. Ajoutez l'expresso, le lait et le sucre. Mixez le tout à niveau 2, jusqu'à ce que le sucre se soit dissous. Pour finir, ajoutez la glace à la vanille et mixez le tout brièvement à niveau 1.

## Mix tropical

- 125 ml de jus d'ananas
- 60 ml de jus de papaye
- 50 ml de jus d'orange
- ½ petite boîte de pêches dans leur jus
- 125 g de glaçons

Pilez les glaçons avec le niveau **P**. Mettez tous les ingrédients dans le mixeur et mélangez le tout à niveau 3.

## Shake à la nougatine

- ½ l de lait
- 200 g de crème de nougatine
- 1 boule de glace à la vanille
- 50 ml de crème fraîche

Mélangez tous les ingrédients dans le mixeur à niveau 3, jusqu'à obtenir un mélange homogène.

## Shake aux carottes

- 300 ml de jus de pomme
- 500 ml de jus de carotte
- 4 c-à-s d'huile (huile de germe de blé ou huile de colza)
- 4 c-à-s de jus de citron
- Gingembre en poudre
- Poivre

Mettez le jus de pomme, l'huile et le jus de citron dans le mixeur et mélangez le tout à niveau 2. Ajoutez ensuite le jus de carottes et mélangez bien le tout à niveau 2. Relevez ensuite le shake à la poudre de gingembre et au poivre.

## Mix de cassis

- 2 c-à-c de miel
- 2 bananes
- ¼ l de petit-lait
- ¼ l de jus de cassis (noir)

Mettez tous les ingrédients dans le mixeur et mélangez le tout à niveau 3.

## Shake Hawaii

- 4 bananes
- ¼ l de jus d'ananas
- ½ l de lait
- 2 c-à-s de miel
- ¼ l de rhum

Pelez les bananes et réduisez-les en purée à niveau 2. Ajoutez les autres ingrédients et mélangez le tout à niveau 1.

## Mix fruité ananas-fraise

- 250 ml de jus d'ananas
- 200 g de fraises
- 300 ml de jus de pomme
- 4 glaçons

Lavez les fraises et retirez les morceaux verts. Pilez les glaçons avec le niveau P. Réduisez-les en purée à niveau 2. Ajoutez ensuite les autres ingrédients et mélangez le tout à niveau 1.

## Soupe froide andalouse (gazpacho)

- ½ concombre
- 1 tomate charnue
- 1 poivron vert
- ½ oignon
- 1 gousse d'ail
- ½ petit pain blanc
- ½ c-à-c de sel
- 1 c-à-c de vinaigre de vin rouge
- 1 c-à-s d'huile d'olive

Coupez les légumes en morceaux d'env. 2 cm. Mettez tout d'abord les tomates, puis les concombres dans le mixeur. Réduisez-les en purée à niveau 3.

Ajoutez les autres ingrédients et réduisez-les en purée/mélangez le tout à niveau 3, jusqu'à obtenir une soupe homogène. Servez le tout avec du pain.

### REMARQUE

- ▶ Recettes sans garantie. Toutes les indications relatives aux ingrédients et aux préparations sont des valeurs d'orientation. Complétez ces propositions de recette avec vos expériences personnelles.

### REMARQUE

- ▶ En cas d'intolérance au lactose, nous vous recommandons d'utiliser du lait sans lactose. Toutefois, n'oubliez pas que le lait sans lactose est un peu plus sucré.

## Nettoyage

### ⚠ RISQUE D'ÉLECTROCUTION !

- ▶ Avant de nettoyer le batteur-mélangeur et ses pièces :
- ▶ Veillez à ce que l'appareil soit éteint et que la fiche secteur soit débranchée.



Veillez à ne pas immerger le bloc moteur **6**, le cordon d'alimentation ou la fiche secteur dans l'eau ou tout autre liquide. Vous risquez un choc électrique susceptible de provoquer un accident mortel et d'endommager l'appareil.

- ▶ N'ouvrez jamais le capot de l'appareil. Vous risquez autrement un choc électrique potentiellement mortel.

### ⚠ AVERTISSEMENT ! RISQUE DE BLESSURE !

- ▶ N'introduisez jamais les doigts dans le bol mixeur **3**, en particulier lorsqu'il fonctionne. Les lames **4** sont extrêmement tranchantes !

### ATTENTION ! DÉGÂTS MATÉRIELS !

- ▶ N'utilisez pas de produit solvant ou récurant pour les surfaces en plastique afin de ne pas les endommager.

## Nettoyage du bol mixeur

- Nettoyez le bol mixeur **3** uniquement avec une brosse vaisselle manche long afin de ne pas vous blesser sur les lames **4**.
- Nettoyez le bouchon doseur **1** et le couvercle **2** dans de l'eau additionnée d'un produit à vaisselle doux. Veillez à ce que le joint caoutchouc **9** soit correctement positionné avant de réutiliser le couvercle **2**.

### REMARQUE



Vous pouvez aussi laver le couvercle **2**, le bouchon doseur **1** et le bol mixeur **3** avec les lames **4** au lave-vaisselle.

Placez les pièces de préférence dans le panier supérieur du lave-vaisselle et veillez à ne pas les coincer.

- Si vous nettoyez l'appareil immédiatement après l'utilisation, vous parviendrez la plupart du temps à un nettoyage présentant un degré d'hygiène suffisant en procédant comme suit :

Versez 750 ml d'eau dans le bol mixeur **3** et ajoutez quelques gouttes de liquide vaisselle. Refermez le couvercle **2** puis posez le bol mixeur **3** sur le bloc moteur **6**. Branchez la fiche secteur dans la prise de courant et actionnez plusieurs fois la fonction à impulsions pour que les lames **4** battent l'eau à la vitesse maximale. Rincez ensuite le bol mixeur **3** abondamment à l'eau claire afin d'éliminer tous les résidus de liquide vaisselle.

- Pour éliminer plus facilement les salissures tenaces, vous pouvez détacher le bloc de lames **A** avec les lames **4** de la partie en verre **B** du bol mixeur **3** :

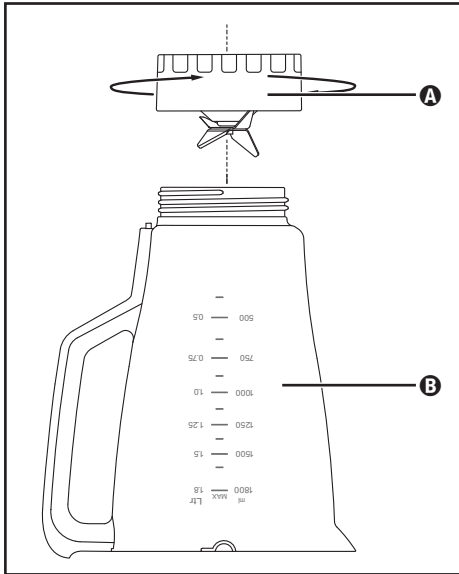


Fig. 3

- 1) Détachez le bol mixeur **3** du bloc moteur **6**. Pour une meilleure stabilité, retirez le couvercle **2** (voir fig. 1).
- 2) Renversez l'appareil et tournez le bloc de lames **A** dans le sens anti-horaire afin qu'il se détache de la partie en verre **B** (voir fig. 3).

### **⚠ AVERTISSEMENT ! RISQUE DE BLESSURES !**

► Manipulez les lames **4** avec prudence. Elles sont très tranchantes !

- 3) Nettoyez le bloc de lames **A** et la partie en verre **B** soigneusement avec de l'eau additionnée d'un produit à vaisselle doux ou au lave-vaisselle.
- 4) Séchez bien toutes les pièces avant de les remonter.
- 5) Reposez le bloc de lames **A** avec les lames **4** sur la partie en verre **B** du bol mixeur **3** et serrez-le dans le sens horaire.

## Nettoyage du bloc-moteur

- 1) Nettoyez les surfaces à l'aide d'un chiffon humide. Si nécessaire, versez un peu de liquide vaisselle doux sur un chiffon. Essuyez avec un chiffon uniquement humidifié d'eau pour éliminer d'éventuels restes de liquide vaisselle. Séchez ensuite bien les surfaces.
- 2) Vérifiez après chaque nettoyage que le contacteur du bol mixeur **3** n'est pas bloqué par des résidus alimentaires. Si vous ne pouvez pas retirer les morceaux bloqués à l'aide d'un coin de feuille de papier, adressez-vous au service après-vente. N'utilisez pas d'objet dur qui risquerait d'endommager le contacteur.
- 3) Éliminez les saletés éventuellement présentes sous le bloc moteur **6** en utilisant exclusivement un chiffon sec ou un pinceau anti-poussières. Assurez-vous que rien ne pénètre dans l'appareil à travers les ouvertures d'aération.

## Après nettoyage

Faites bien sécher toutes les pièces avant de remonter le batteur-mélangeur et de le réutiliser.

## Rangement de l'appareil

- 1) Si vous laissez l'appareil inutilisé pendant une durée prolongée, nettoyez-le soigneusement (voir chapitre «Nettoyage»).
- 2) Enroulez le cordon d'alimentation dans le sens de la flèche autour de l'enroulement du cordon d'alimentation **7** situé sous le bloc moteur **6**.
- 3) Rangez le batteur-mélangeur dans un endroit sec et frais.

## Mise au rebut



**Ne jetez jamais l'appareil avec les ordures ménagères. Ce produit est assujéti à la directive européenne 2012/19/EU DEEE (déchets d'équipements électriques et électroniques).**

Éliminez l'appareil par l'intermédiaire d'une entreprise de traitement des déchets autorisée ou via le service de recyclage de votre commune. Respectez la réglementation en vigueur. En cas de doute, veuillez contacter votre centre de recyclage.



Renseignez-vous auprès de votre commune pour connaître les possibilités de mise au rebut de votre appareil usagé.



Le produit recyclable doit être trié ou rapporté dans un point de collecte pour être recycle.



Éliminez l'emballage d'une manière respectueuse de l'environnement.

Observez le marquage sur les différents matériaux d'emballage et triez-les séparément si nécessaire. Les matériaux d'emballage sont repérés par des abréviations (a) et des numéros (b) qui ont la signification suivante:

1-7 : Plastiques,

20-22 : Papier et carton,

80-98 : Matériaux composites.



L'emballage se compose de matériaux respectueux de l'environnement qu'il est possible d'éliminer via les centres de recyclage locaux.

## **Garantie pour Kompernass Handels GmbH pour la Belgique**

Chère cliente, cher client,

Cet appareil est garanti 3 ans à partir de la date d'achat. Si ce produit venait à présenter des vices, vous disposez de droits légaux face au vendeur de ce produit. Vos droits légaux ne sont pas restreints par notre garantie présentée ci-dessous.

### **Conditions de garantie**

La période de garantie débute à la date d'achat. Veuillez bien conserver le ticket de caisse. Celui-ci servira de preuve d'achat.

Si dans un délai de trois ans suivant la date d'achat de ce produit, un vice de matériel ou de fabrication venait à apparaître, le produit sera réparé, remplacé gratuitement par nos soins ou le prix d'achat remboursé, selon notre choix. Cette prestation sous garantie nécessite, dans le délai de trois ans, la présentation de l'appareil défectueux et du justificatif d'achat (ticket de caisse) ainsi que la description brève du vice et du moment de son apparition.

Si le vice est couvert par notre garantie, vous recevrez le produit réparé ou un nouveau produit en retour. Aucune nouvelle période de garantie ne débute avec la réparation ou l'échange du produit.

### **Période de garantie et réclamation légale pour vices cachés**

L'exercice de la garantie ne prolonge pas la période de garantie. Cette disposition s'applique également aux pièces remplacées ou réparées. Les dommages et vices éventuellement déjà présents à l'achat doivent être signalés immédiatement après le déballage. Toute réparation survenant après la période sous garantie fera l'objet d'une facturation.

### **Étendue de la garantie**

L'appareil a été fabriqué avec soin conformément à des directives de qualité strictes et consciencieusement contrôlé avant sa livraison.

La prestation de la garantie s'applique aux vices de matériel et de fabrication.

Cette garantie ne s'étend pas aux pièces du produit qui sont exposées à une usure normale et peuvent de ce fait être considérées comme pièces d'usure, ni aux détériorations de pièces fragiles, par ex. interrupteurs, batteries ou pièces en verre.

Cette garantie devient caduque si le produit est détérioré, utilisé ou entretenu de manière non conforme. Toutes les instructions listées dans le manuel d'utilisation doivent être exactement respectées pour une utilisation conforme du produit. Des buts d'utilisation et actions qui sont déconseillés dans le manuel d'utilisation, ou dont vous êtes avertis doivent également être évités.

Le produit est uniquement destiné à un usage privé et ne convient pas à un usage professionnel. La garantie est annulée en cas d'entretien incorrect et inapproprié, d'usage de la force et en cas d'intervention non réalisée par notre centre de service après-vente agréé.



## Procédure en cas de garantie

Afin de garantir un traitement rapide de votre demande, veuillez suivre les indications suivantes :

- Veuillez avoir à portée de main pour toutes questions le ticket de caisse et la référence article (par ex. IAN 123456\_7890) en tant que justificatif de votre achat.
- Vous trouverez la référence sur la plaque signalétique sur le produit, une gravure sur le produit, sur la page de garde du mode d'emploi (en bas à gauche) ou sur l'autocollant au dos ou sur le dessous du produit.
- Si des erreurs de fonctionnement ou d'autres vices venaient à apparaître, veuillez d'abord contacter le département service clientèle cité ci-dessous par **téléphone** ou par **e-mail**.
- Vous pouvez ensuite retourner un produit enregistré comme étant défectueux en joignant le ticket de caisse et en indiquant en quoi consiste le vice et quand il est survenu, sans devoir l'affranchir à l'adresse de service après-vente communiquée.



Sur [www.lidl-service.com](http://www.lidl-service.com), vous pourrez télécharger ce mode d'emploi et de nombreux autres manuels, vidéos produit et logiciels d'installation.

Grâce à ce code QR, vous arriverez directement sur le site Lidl service après-vente ([www.lidl-service.com](http://www.lidl-service.com)) et vous pourrez ouvrir votre mode d'emploi en saisissant votre référence (IAN) 360749\_2007.

## **Garantie pour Kompernass Handels GmbH pour la France**

Chère cliente, cher client,

Cet appareil est garanti 3 ans à partir de la date d'achat. Si ce produit venait à présenter des vices, vous disposez de droits légaux face au vendeur de ce produit. Vos droits légaux ne sont pas restreints par notre garantie présentée ci-dessous.

### **Conditions de garantie**

La période de garantie débute à la date d'achat. Veuillez bien conserver le ticket de caisse. Celui-ci servira de preuve d'achat.

Si dans un délai de trois ans suivant la date d'achat de ce produit, un vice de matériel ou de fabrication venait à apparaître, le produit sera réparé, remplacé gratuitement par nos soins ou le prix d'achat remboursé, selon notre choix. Cette prestation sous garantie nécessite, dans le délai de trois ans, la présentation de l'appareil défectueux et du justificatif d'achat (ticket de caisse) ainsi que la description brève du vice et du moment de son apparition.

Si le vice est couvert par notre garantie, vous recevrez le produit réparé ou un nouveau produit en retour. Aucune nouvelle période de garantie ne débute avec la réparation ou l'échange du produit.

### **Période de garantie et réclamation légale pour vices cachés**

L'exercice de la garantie ne prolonge pas la période de garantie. Cette disposition s'applique également aux pièces remplacées ou réparées. Les dommages et vices éventuellement déjà présents à l'achat doivent être signalés immédiatement après le déballage. Toute réparation survenant après la période sous garantie fera l'objet d'une facturation.

### **Étendue de la garantie**

L'appareil a été fabriqué avec soin conformément à des directives de qualité strictes et consciencieusement contrôlé avant sa livraison.

La prestation de la garantie s'applique aux vices de matériel et de fabrication.

Cette garantie ne s'étend pas aux pièces du produit qui sont exposées à une usure normale et peuvent de ce fait être considérées comme pièces d'usure, ni aux détériorations de pièces fragiles, par ex. interrupteurs, batteries ou pièces en verre.

Cette garantie devient caduque si le produit est détérioré, utilisé ou entretenu de manière non conforme. Toutes les instructions listées dans le manuel d'utilisation doivent être exactement respectées pour une utilisation conforme du produit. Des buts d'utilisation et actions qui sont déconseillés dans le manuel d'utilisation, ou dont vous êtes avertis doivent également être évités.

Le produit est uniquement destiné à un usage privé et ne convient pas à un usage professionnel. La garantie est annulée en cas d'entretien incorrect et inapproprié, d'usage de la force et en cas d'intervention non réalisée par notre centre de service après-vente agréé.

## **Article L217-16 du Code de la consommation**

Lorsque l'acheteur demande au vendeur, pendant le cours de la garantie commerciale qui lui a été consentie lors de l'acquisition ou de la réparation d'un bien meuble, une remise en état couverte par la garantie, toute période d'immobilisation d'au moins sept jours vient s'ajouter à la durée de la garantie qui restait à courir. Cette période court à compter de la demande d'intervention de l'acheteur ou de la mise à disposition pour réparation du bien en cause, si cette mise à disposition est postérieure à la demande d'intervention.

Indépendamment de la garantie commerciale souscrite, le vendeur reste tenu des défauts de conformité du bien et des vices rédhibitoires dans les conditions prévues aux articles L217-4 à L217-13 du Code de la consommation et aux articles 1641 à 1648 et 2232 du Code Civil.

## **Article L217-4 du Code de la consommation**

Le vendeur livre un bien conforme au contrat et répond des défauts de conformité existant lors de la délivrance. Il répond également des défauts de conformité résultant de l'emballage, des instructions de montage ou de l'installation lorsque celle-ci a été mise à sa charge par le contrat ou a été réalisée sous sa responsabilité.

## **Article L217-5 du Code de la consommation**

Le bien est conforme au contrat :

1° S'il est propre à l'usage habituellement attendu d'un bien semblable et, le cas échéant :

- s'il correspond à la description donnée par le vendeur et posséder les qualités que celui-ci a présentées à l'acheteur sous forme d'échantillon ou de modèle ;
- s'il présente les qualités qu'un acheteur peut légitimement attendre eu égard aux déclarations publiques faites par le vendeur, par le producteur ou par son représentant, notamment dans la publicité ou l'étiquetage ;

2° Ou s'il présente les caractéristiques définies d'un commun accord par les parties ou être propre à tout usage spécial recherché par l'acheteur, porté à la connaissance du vendeur et que ce dernier a accepté.

## **Article L217-12 du Code de la consommation**

L'action résultant du défaut de conformité se prescrit par deux ans à compter de la délivrance du bien.

## **Article 1641 du Code civil**

Le vendeur est tenu de la garantie à raison des défauts cachés de la chose vendue qui la rendent impropre à l'usage auquel on la destine, ou qui diminuent tellement cet usage que l'acheteur ne l'aurait pas acquise, ou n'en aurait donné qu'un moindre prix, s'il les avait connus.

## Article 1648 1er alinéa du Code civil

L'action résultant des vices rédhibitoires doit être intentée par l'acquéreur dans un délai de deux ans à compter de la découverte du vice.

Les pièces détachées indispensables à l'utilisation du produit sont disponibles pendant la durée de la garantie du produit.

## Procédure en cas de garantie

Afin de garantir un traitement rapide de votre demande, veuillez suivre les indications suivantes :

- Veuillez avoir à portée de main pour toutes questions le ticket de caisse et la référence article (par ex. IAN 123456\_7890) en tant que justificatif de votre achat.
- Vous trouverez la référence sur la plaque signalétique sur le produit, une gravure sur le produit, sur la page de garde du mode d'emploi (en bas à gauche) ou sur l'autocollant au dos ou sur le dessous du produit.
- Si des erreurs de fonctionnement ou d'autres vices venaient à apparaître, veuillez d'abord contacter le département service clientèle cité ci-dessous par **téléphone** ou par **e-mail**.
- Vous pouvez ensuite retourner un produit enregistré comme étant défectueux en joignant le ticket de caisse et en indiquant en quoi consiste le vice et quand il est survenu, sans devoir l'affranchir à l'adresse de service après-vente communiquée.



Sur [www.lidl-service.com](http://www.lidl-service.com), vous pourrez télécharger ce mode d'emploi et de nombreux autres manuels, vidéos produit et logiciels d'installation.

Grâce à ce code QR, vous arriverez directement sur le site Lidl service après-vente ([www.lidl-service.com](http://www.lidl-service.com)) et vous pourrez ouvrir votre mode d'emploi en saisissant votre référence (IAN) 360749\_2007.

## Service après-vente

**FR** **Service France**  
Tel.: 0800 919270  
E-Mail: kompernass@lidl.fr

**BE** **Service Belgique**  
Tel.: 070 270 171 (0,15 EUR/Min.)  
E-Mail: kompernass@lidl.be

IAN 360749\_2007

## Importateur

Veillez tenir compte du fait que l'adresse suivante n'est pas une adresse de service après-vente. Veuillez d'abord contacter le service mentionné.

KOMPERNASS HANDELS GMBH  
BURGSTRASSE 21  
44867 BOCHUM  
ALLEMAGNE  
[www.kompernass.com](http://www.kompernass.com)

## Inhoudsopgave

<b>Inleiding</b> .....	<b>60</b>
<b>Gebruik in overeenstemming met bestemming</b> .....	<b>60</b>
<b>Inhoud van de verpakking</b> .....	<b>60</b>
<b>Apparaatbeschrijving</b> .....	<b>61</b>
<b>Technische gegevens</b> .....	<b>61</b>
<b>Veiligheidsvoorschriften</b> .....	<b>62</b>
<b>Uitpakken</b> .....	<b>64</b>
<b>Plaatsen</b> .....	<b>64</b>
<b>Bediening</b> .....	<b>65</b>
Mix-opzetstuk vullen en bevestigen .....	65
Snelheidsstand kiezen .....	66
Vullen tijdens bedrijf .....	67
Mix-opzetstuk afnemen .....	67
<b>Nuttige tips</b> .....	<b>67</b>
<b>Recepten</b> .....	<b>68</b>
Bananenshake .....	68
Vanilleshake .....	68
Cappuccinoshake .....	68
Tropical-mix .....	69
Noten-nougat-shake .....	69
Wortelshake .....	69
Zwarte bessen-mix .....	69
Hawaii-shake .....	70
Fruitage ananas-aardbei-mix .....	70
Andalusische koude soep (Gazpacho) .....	70
<b>Reinigen</b> .....	<b>71</b>
Mix-opzetstuk reinigen .....	71
Motorblok reinigen .....	73
Na het reinigen .....	73
<b>Opbergen</b> .....	<b>73</b>
<b>Milieurichtlijnen</b> .....	<b>74</b>
<b>Garantie van Kompernaß Handels GmbH</b> .....	<b>75</b>
Service .....	76
Importeur .....	76

## Inleiding

Gefeliciteerd met de aankoop van uw nieuwe apparaat. U hebt hiermee gekozen voor een hoogwaardig product. De bedieningshandleiding maakt deel uit van dit product. Deze bevat belangrijke aanwijzingen voor veiligheid, gebruik en afvoeren. Maak uzelf voorafgaand aan het gebruik van het product vertrouwd met alle bedienings- en veiligheidsvoorschriften. Gebruik het product uitsluitend op de voorgeschreven wijze en voor de aangegeven doeleinden. Geef alle documenten mee als u het product doorgeeft aan een derde.

## Gebruik in overeenstemming met bestemming

Dit apparaat is uitsluitend bestemd voor...

- het mengen, pureren en roeren van levensmiddelen en voor het malen ("crushen") van ijsblokjes,
- uitsluitend in hoeveelheden in het huishouden gebruikelijk en alleen voor privé huishoudelijk gebruik in droge ruimtes.

Het apparaat is niet bestemd voor...

- het fijnhakken van kruiden, uien, vlees en harde levensmiddelen zoals bijv. noten, pitten, grote korrels of steeltjes,
- het bereiden van notenpaste,
- het verwerken van materialen die geen levensmiddelen zijn,
- het gebruik voor bedrijfsmatige en industriële doeleinden,
- het gebruik in een vochtige omgeving of in de openlucht,
- de verwerking van hete/kokende vloeistoffen.

Gebruikt u alleen de accessoires en reserveonderdelen die voor dit apparaat bestemd zijn. Andere onderdelen zijn mogelijk niet voldoende geschikt of veilig!

## Inhoud van de verpakking



Controleer de levering na het uitpakken op volledigheid. De inhoud van het pakket bestaat uit:

- Motorblok, met netsnoer en netstekker
- Mix-opzetstuk
- Deksel
- Vuldop
- Gebruiksaanwijzing

## Apparaatbeschrijving

- ❶ Vuldop
- ❷ Deksel
- ❸ Mix-opzetstuk
- ❹ Snijmes
- ❺ Schakelaar
- ❻ Motorblok
- ❼ Kabelspoel
- ❽ Schaalverdeling
- ❾ Rubberen afdichting deksel

## Technische gegevens

Nominale spanning	220 - 240 V ~ (wisselstroom), 50 - 60 Hz
Nominaal vermogen	600 W
Capaciteit	ca. 2,4 liter
Max. vulhoeveelheid	1,8 liter
Beveiligingsklasse	II /  (dubbel geïsoleerd)
KB-tijd	3 minuten
	Alle delen van het apparaat die in aanraking komen met levensmiddelen, zijn levensmiddelveilig.

De KB-tijd (kort bedrijf) geeft aan hoe lang een apparaat kan worden bediend, zonder dat de motor oververhit raakt en schade hieraan ontstaat. Na de opgegeven KB-tijd moet het apparaat zo lang uitgeschakeld worden, totdat de motor tot kamertemperatuur is afgekoeld.



## Veiligheidsvoorschriften

### **GEVAAR VOOR ELEKTRISCHE SCHOK!**

- ▶ Vergewis u ervan dat het motorblok, het netsnoer of de netstekker nooit ondergedompeld worden in water of andere vloeistoffen.
- ▶ Gebruik het apparaat uitsluitend in droge ruimtes, nooit in de openlucht of in een vochtige omgeving.
- ▶ Let erop dat het netsnoer nooit nat of vochtig wordt wanneer het apparaat in bedrijf is. Leg het zo neer dat het niet beklemd raakt of anderszins beschadigd kan worden.
- ▶ Laat beschadigde netsnoeren of netstekkers onmiddellijk door deskundig personeel of de klantenservice vervangen, om gevaar te voorkomen.
- ▶ Trek na gebruik altijd de stekker uit het stopcontact. Alleen uitschakelen is niet genoeg, omdat het apparaat onder spanning blijft staan zolang de stekker in het stopcontact zit.
- ▶ Controleer het apparaat vóór ieder gebruik op perfecte toestand. Het apparaat mag niet worden gebruikt als het zichtbaar is beschadigd, met name bij schade aan het motorblok of het mix-opzetstuk.
- ▶ Haal meteen de stekker uit het stopcontact als u ongebruikelijke geluiden of geuren waarneemt, of bij een evidente storing.

### **WAARSCHUWING! LETSELGEVAAR!**

- ▶ Grijp nooit in het mix-opzetstuk, vooral niet tijdens het bedrijf. De messen zijn extreem scherp!
- ▶ Het deksel niet openen terwijl het apparaat in bedrijf is.
- ▶ Laat het apparaat niet zonder toezicht in werking, om bij gevaar meteen te kunnen reageren.

**⚠ WAARSCHUWING! LETSELGEVAAR!**

- ▶ Schakel het apparaat uit en haal de netstekker uit het stopcontact voordat u accessoires verwisselt of onderdelen aanraakt die tijdens het bedrijf bewegen.
- ▶ Bij kinderen is supervisie noodzakelijk om er voor te zorgen dat ze niet met het apparaat spelen.
- ▶ Gebruik het apparaat nooit voor andere doeleinden dan in deze gebruiksaanwijzing zijn beschreven.
- ▶ Bij verkeerd gebruik van het apparaat bestaat er kans op letsel.
- ▶ Het apparaat moet altijd van de stroom worden losgekoppeld indien er geen toezicht is, en voor montage, demontage of reiniging.
- ▶ Het apparaat mag niet door kinderen worden gebruikt.
- ▶ Houd het apparaat en het bijbehorende snoer buiten bereik van kinderen.
- ▶ Dit apparaat mag worden gebruikt door personen met beperkte fysieke, zintuiglijke of geestelijke vermogens of gebrek aan ervaring en/of kennis, mits ze onder toezicht staan of over het veilige gebruik van het apparaat zijn geïnstrueerd en de daaruit resulterende gevaren hebben begrepen.
- ▶ Kinderen mogen niet met het apparaat spelen.
- ▶ Ga voorzichtig om met het apparaat. De messen zijn zeer scherp!
- ▶ Wees voorzichtig bij het legen van de kom. De messen zijn zeer scherp!
- ▶ Wees voorzichtig bij het reinigen van het apparaat. De messen zijn zeer scherp!
- ▶ Schakel het apparaat uit en haal de netstekker uit het stopcontact voordat u accessoires verwisselt of onderdelen aanraakt die tijdens het bedrijf bewegen.

## **⚠ WAARSCHUWING! LETSELGEVAAR!**

- ▶ Gebruik het mix-opzetstuk uitsluitend met het meegeleverde motorblok.
- ▶ Vergewis u ervan dat de mixer uitgeschakeld is voordat u het mix-opzetstuk van het motorblok afhaalt.

## **LET OP! MATERIËLE SCHADE!**

- ▶ Gebruik het apparaat niet daar waar rechtstreeks zonlicht is of inwerking van warmte door andere apparaten.
- ▶ Nooit het mix-opzetstuk vullen met kokende vloeistoffen! Laat deze eerst afkoelen tot handwarme temperatuur.
- ▶ Gebruik het apparaat nooit in lege toestand, d.w.z. zonder ingrediënten in het mix-opzetstuk.

## **Uitpakken**

- Verwijder alle delen van de verpakking of de beschermfolie van het apparaat. Bewaar de verpakking, zodat u het apparaat kunt bewaren of kunt opsturen, bijv. in geval van reparatie.
- Voordat u het apparaat gebruikt, dient u zich ervan te vergewissen dat het apparaat niet beschadigd is, evenmin als het netsnoer met netstekker en alle accessoires en apparaatdelen.
- Reinig alle onderdelen voor het eerste gebruik van de standmixer (zie "Reinigen").

## **Plaatsen**

Als u alle delen hebt schoongemaakt, zoals onder "Reinigen" beschreven:



- Plaats het apparaat zo, ...
  - dat het netsnoer door de uitsparing aan de achterzijde geleid wordt,
  - dat de netstekker direct binnen bereik is, zodat deze in geval van gevaar uit het stopcontact gehaald kan worden,
  - dat het stabiel staat en niet kan wegglijden, zodat de zuignappen houvast hebben en het apparaat in geval van trillingen niet omvalt,
  - dat het netsnoer niet in de werkomgeving komt en doordat er per ongeluk aan getrokken wordt het apparaat kan doen omvallen.

## Bediening


### WAARSCHUWING!

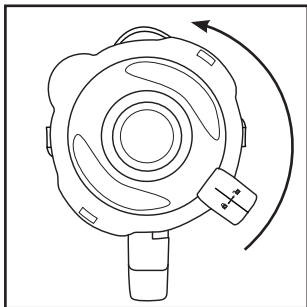
- ▶ De motor wordt uitgeschakeld zodra het mix-opzetstuk **3** van het motorblok **6** wordt gehaald of het deksel **2** wordt geopend. Mogelijk wordt dan over het hoofd gezien dat de machine nog is ingeschakeld. De motor start dan onverwacht zodra het mix-opzetstuk **3** wordt bevestigd of het deksel **2** weer wordt gesloten:  
Daarom:
  - Doe de netstekker pas in het stopcontact als u klaar bent met het vullen van het mix-opzetstuk **3** en dit gesloten is bevestigd.
  - Vergewis u er vóór het bevestigen van dat het apparaat uitgeschakeld is of dat de netstekker uit het stopcontact is gehaald.
  - Schakel het apparaat eerst uit, trek de stekker uit het stopcontact en wacht tot de motor stilstaat voordat u het mix-opzetstuk **3** van het apparaat neemt of het deksel **2** opent.

## Mix-opzetstuk vullen en bevestigen

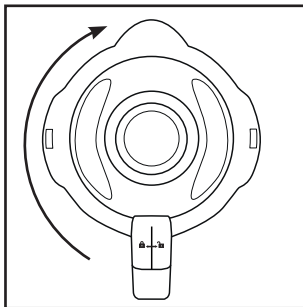
- 1) Draai het mix-opzetstuk **3** tegen de wijzers van de klok in tot de pijl ▼ onder de greep van het mix-opzetstuk **3** in de stand  staat. Neem het mix-opzetstuk **3** recht omhoog van het motorblok **6**.
- 2) U kunt het deksel **2** verwijderen, als u het zover tegen de wijzers van de klok in naar de stand  draait (zie afb. 1) dat u het deksel er omhoog af kunt trekken.
- 3) Vul het mix-opzetstuk **3** minimaal tot aan de onderste streep van de schaalverdeling **8** en maximaal tot aan de MAX-markering. Voor optimale resultaten adviseren wij de volgende maximale vulhoeveelheden:

Levensmiddel	Maximale vulhoeveelheid	Aanbevolen stand	Aanbevolen bewerkingstijd
Vloeistoffen	1800 ml	1-3	60 sec.
Yoghurt-mixdrankjes	1250 ml	2-5	90 sec.
Milkshakes/ smoothies	1250 ml	2-5	60-90 sec.
Pannenkoeken- beslag	1250 ml	3-5	90 sec.
Babypuree	750 g	5	3 min.
Mayonaise	2 eieren 250 ml olie	3-5	90-120 sec.
Groentesoep	1500 ml	3-5	3 min.
Ijsklontjes	250 ml	P	12x




- 4) Druk vervolgens het deksel **2** weer vast op het mix-opzetstuk **3**. Sluit het deksel **2** door het met de wijzers van de klok mee naar de positie  te draaien tot het deksel hoorbaar vastklikt (zie afb. 2). Zorg dat ook de schenktuit van het mix-opzetstuk **3** gesloten is. Alleen als het deksel **2** goed sluitend is geplaatst, kan de motor starten.



Afb. 1



Afb. 2

- 5) Druk de vuldop **1** tot aan de aanslag in de dekselopening.
- 6) Plaats het gevulde en gesloten mix-opzetstuk **3** op het motorblok **6**. Gebruik daarvoor de uitsparingen in het motorblok **6** en let er daarbij op dat de pijl  op het mix-opzetstuk in de stand  staat. Draai het mix-opzetstuk **3** met de wijzers van de klok mee naar de positie  tot het hoorbaar vastklikt. Alleen als het mix-opzetstuk **3** goed op het motorblok staat, kan de motor starten.

## Snelheidsstand kiezen

Als het mix-opzetstuk **3** is gevuld en volledig gesloten op het motorblok **6** staat, kunt u het apparaat inschakelen.

Zet de schakelaar **5** op...

### ■ Stand 1 – 3

voor vloeibare of matig vaste levensmiddelen, om te mengen, pureren of roeren

### ■ Stand 3 – 5

voor vastere levensmiddelen of om klein te hakken

### ■ Stand P (pulsfunctie)

voor kort, krachtig impulsbedrijf, bijv. om ijsklontjes te crushen of om te reinigen. De schakelaar **5** blijft in deze stand niet staan, om de motor niet te overbelasten. Houd de schakelaar **5** daarom maar kort in deze stand.

### OPMERKING

- Vul het mix-opzetstuk **3** met maximaal 180 g ijsklontjes. Anders maakt het apparaat de ijsklontjes niet optimaal klein.

## Vullen tijdens bedrijf

### **WAARSCHUWING!**


- ▶ Indien u tijdens het bedrijf iets wilt vullen, mag u hiervoor alleen de vuldop **1** die hiervoor bestemd is openen. Open in geen geval het deksel **2**.
- ▶ Zet nooit bestek of dergelijke in het mix-opzetstuk **3** wanneer het apparaat in bedrijf is. Er is sprake van ernstig letselgevaar als deze het snel draaiende snijmes **4** aanraken!

Om tijdens het bedrijf iets te kunnen vullen, ...

- 1) Trek de vuldop **1** uit het deksel **2**.
- 2) Vul met de ingrediënten.
- 3) Druk de vuldop **1** daarna weer in de dekselopening.

## Mix-opzetstuk afnemen

Als de bereiding van de levensmiddelen in het mix-opzetstuk is voltooid:

- 1) Zet de schakelaar **5** altijd eerst op de stand "0" en trek vervolgens de stekker uit het stopcontact.
- 2) Wacht tot de motor stilstaat voordat u het mix-opzetstuk **3** recht omhoog van het motorblok **6** neemt. Draai daartoe het mix-opzetstuk **3** tegen de wijzers van de klok in tot de pijl ▼ onder de greep van het mix-opzetstuk in de stand  staat. Neem het mix-opzetstuk **3** recht omhoog van het motorblok **6**.

## Nuttige tips

- Om bij het pureren van stevige ingrediënten tot het beste resultaat te komen, doet u beetje bij beetje kleine porties in het mix-opzetstuk **3**, in plaats van in één keer een grotere hoeveelheid te vullen.
- Als u stevige ingrediënten verwerkt, snijdt u deze in kleine stukken (2 - 3 cm).
- Voeg bij het pureren van fruit of groenten minstens 50 ml vloeistof toe.
- Doe dikkere vloeibare ingrediënten zoals yoghurt het eerst in het mix-opzetstuk **3**. Als tijdens het mixen niet alle ingrediënten worden verwerkt, haalt u het mix-opzetstuk **3** van het motorblok **6** af, verwijdert u het deksel **2** en roert u de ingrediënten bijv. met een lepel door elkaar. Plaats het mix-opzetstuk **3** met gesloten deksel **2** terug op het motorblok **6** en ga verder met mixen.
- Bij het mixen van vloeibare ingrediënten begint u eerst met een kleine hoeveelheid vloeistof. Giet daarna stukje bij beetje meer vloeistof door de dekselopening.
- Als u tijdens het bedrijf uw hand op de gesloten blender legt, kunt u het apparaat zo goed stabiliseren.

- Voor het roeren van vaste of zeer dikke vloeibare levensmiddelen kan het verstandig zijn om de stand **P** te gebruiken, om te voorkomen dat de snijmesses ④ vastlopen.

## OPMERKING

- ▶ Het apparaat niet gebruiken om de korrels van keukenzout, geraffineerde suiker of basterdsuiker fijner te maken. Bijvoorbeeld om poedersuiker te maken.

## Recepten

### Bananenshake

- 2 bananen
- ca. 2 eetlepels suiker  
(naar gelang rijpheid van de bananen en persoonlijke smaak)
- ½ liter melk
- 1 scheutje citroensap

Pel de bananen en pureer deze op stand 2. Voeg de melk beetje bij beetje toe, dan de suiker en het citroensap. Mix alles zo lang, totdat een gelijkmatige vloeistof ontstaat. Serveer de shake ijskoud.

### Vanilleshake

- ¼ liter melk
- 250 g vanille-ijs
- 125 g ijsklontjes
- 1 ½ theelepels suiker

Crush de ijsblokjes met de stand **P**. Doe de overige ingrediënten in de mixer. Meng alles zo lang op stand 2 tot er een gelijkmatige vloeistof ontstaat.

### Cappuccinoshake

- 65 ml koude espresso (of heel sterke koffie)
- 65 ml melk
- 15 g suiker
- 65 g vanille-ijs
- 100 g ijsklontjes

Crush de ijsblokjes met de stand **P**. Doe de espresso, de melk en de suiker erbij. Mix alles op stand 2, totdat de suiker is opgelost. Voeg tot slot het vanille-ijs toe en mix alles kort door elkaar op stand 1.

## Tropical-mix

- 125 ml ananassap
- 60 ml papayasap
- 50 ml sinaasappelsap
- ½ klein blikje perzikken op sap
- 125 g ijsklontjes

Crush de ijsblokjes met de stand **P**. Doe alle ingrediënten in de mixer en meng alles door elkaar op stand 3.

## Noten-nougat-shake

- ½ liter melk
- 200 g noten-nougat-pasta
- 1 bolletje vanille-ijs
- 50 ml room

Meng alle ingrediënten in de mixer op stand 3, totdat alles gelijkmatig is gemengd.

## Wortelshake

- 300 ml appelsap
- 500 ml wortelsap
- 4 eetlepels olie (tarwekiemolie of koolzaadolie)
- 4 eetlepels citroensap
- gemberpoeder
- peper

Doe het appelsap, de olie en het citroensap in de mixer en meng alles op stand 2. Voeg dan het wortelsap toe en meng alles door elkaar op stand 2. Breng de shake op smaak met gemberpoeder en peper.

## Zwarte bessen-mix

- 2 theelepels honing
- 2 bananen
- ¼ liter karnemelk
- ¼ liter bessensap (zwart)

Doe alle ingrediënten in de mixer en meng alles door elkaar op stand 3.



## Hawaii-shake

- 4 bananen
- ¼ liter ananassap
- ½ liter melk
- 2 EL honing
- ¼ liter rum

Pel de bananen en pureer deze op stand 2. Voeg de andere ingrediënten toe en meng alles op stand 1.

## Fruitige ananas-aardbei-mix

- 250 ml ananassap
- 200 g aardbeien
- 300 ml appelsap
- 4 ijsklontjes

Was de aardbeien en verwijder het groen. Crush de ijsblokjes met de stand **P**. Pureer ze op stand 2. Voeg dan de overige ingrediënten toe en mix alles op stand 1.

## Andalusische koude soep (Gazpacho)

- ½ komkommer
- 1 vleestomaat
- 1 groene paprika
- ½ ui
- 1 knoflookteen
- ½ wit broodje
- ½ theelepel zout
- 1 theelepel rode wijnazijn
- 1 eetlepel olijfolie

Snij de groente in ca. 2 cm grote stukken. Doe eerst de tomaten en daarna de komkommer in de mixer. Pureer deze op stand 3. Voeg de overige ingrediënten toe en pureer/meng alles op stand 3, totdat een gelijkmatige soep ontstaat. Serveer het geheel met brood.

### OPMERKING

- ▶ Geen aansprakelijkheid voor recepten. Alle gegevens m.b.t. ingrediënten en bereiding zijn richtwaarden. Vul deze receptsuggesties aan met uw persoonlijke bevindingen.

### OPMERKING

- ▶ In geval van lactose-intolerantie adviseren wij u lactosevrije melk te gebruiken. Houd er echter rekening mee dat lactosevrije melk iets zoeter is.

## Reinigen

### **GEVAAR VOOR EEN ELEKTRISCHE SCHOK!**

Alvorens de blender en de accessoires te reinigen:

- ▶ Vergewis u ervan dat het apparaat uitgeschakeld is en dat de netstekker uit het stopcontact is gehaald.



Het motorblok **6** mag in geen geval in water of andere vloeistoffen worden ondergedompeld. Hierdoor kan levensgevaar ontstaan door een elektrische schok en het apparaat kan beschadigd raken.

- ▶ Open nooit de behuizing van het apparaat. Anders kan er levensgevaar ontstaan door een elektrische schok.

### **WAARSCHUWING! LETSELGEVAAR!**

- ▶ Grijp nooit in het mix-opzetstuk **3**, met name niet als het apparaat in werking is. De snijmessen **4** zijn uiterst scherp!

### **LET OP! MATERIËLE SCHADE!**

- ▶ Gebruik geen oplos- of schuurmiddelen voor de kunststofoppervlakken, omdat deze anders beschadigd kunnen raken.

## Mix-opzetstuk reinigen

- Reinig het mix-opzetstuk **3** alleen met een afwasborstel met een lange steel, zodat u zich niet aan de snijmessen **4** kunt verwonden.
- Reinig de vuldop **1** en het deksel **2** in mild zeepsop. Let erop dat de rubberen afdichting **3** goed vastzit, voordat u het deksel **2** opnieuw gebruikt.

### **OPMERKING**

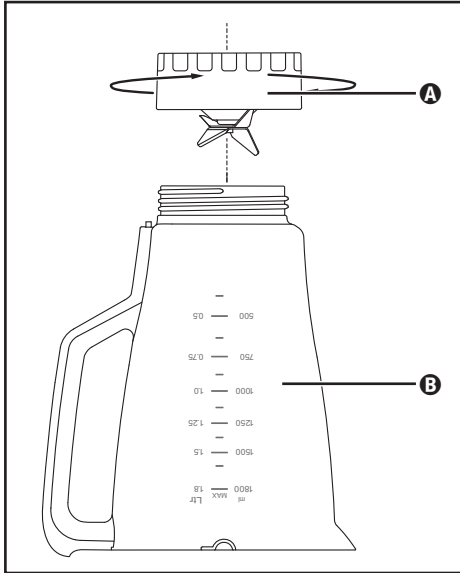


U kunt het deksel **2**, de vuldop **1** en het mix-opzetstuk **3** met het snijmes **4** ook in de vaatwasser reinigen.

Leg de onderdelen zo mogelijk in het bovenste rek van de vaatwasser en zorg ervoor dat ze niet ingeklemd raken.

- Wanneer u het apparaat direct na gebruik reinigt, bereikt u in de meeste gevallen op de volgende manier een voldoende hygiënische reiniging: Vul het mix-opzetstuk **3** met 750 ml water en voeg enkele druppels mild afwasmiddel toe. Sluit het deksel **2** en plaats het mix-opzetstuk **3** op het motorblok **6**. Steek de stekker in het stopcontact en activeer een paar keer de pulsfunctie, zodat de snijmessen **4** met maximaal toerental door het water bewegen. Spoel daarna het mix-opzetstuk **3** met veel schoon water uit, zodat alle afwasmiddel is verwijderd.

- Om hardnekkig vuil beter te kunnen verwijderen kunt u opzetstuk **A** met de snijmesses **4** losmaken van het reservoir **B** van het mix-opzetstuk **3**:



Afb. 3

- 1) Haal het mix-opzetstuk **3** van het motorblok **6**. Om ervoor te zorgen dat het mix-opzetstuk stabiel staat, verwijdert u het deksel **2** (zie afb. 1).
- 2) Zet het apparaat op de kop en draai opzetstuk **A** linksom, zodat het loskomt van het reservoir **B** (zie afb. 3).

### **⚠ WAARSCHUWING! LETSELGEVAAR!**

► Ga voorzichtig om met de snijmesses **4**. Ze zijn heel scherp!

- 3) Reinig het opzetstuk **A** en het reservoir **B** grondig in mild zeepsop of in de vaatwasser.
- 4) Droog alles goed af voordat u het apparaat weer in elkaar zet.
- 5) Plaats opzetstuk **A** met de snijmesses **4** weer op het reservoir **B** van het mix-opzetstuk **3** en draai het rechtsom vast.

## Motorblok reinigen

- 1) Reinig de oppervlakken met een vochtige doek. Doe zo nodig wat mild afwasmiddel op de doek. Veeg na met een doek die is bevochtigd met schoon water, om eventuele afwasmiddelresten te verwijderen. Droog de oppervlakken daarna goed af.
- 2) Controleer bij iedere reiniging of de contactschakelaar in de opname van het mix-opzetstuk **4** niet door resten van vervuiling geblokkeerd is. Indien u mogelijke blokkeringen niet kunt oplossen met de punt van een blad papier, neemt u contact op met de klantenservice. Gebruik in geen geval een hard voorwerp, omdat de contactschakelaar daardoor beschadigd kan raken.
- 3) Verwijder mogelijke vervuilingen aan de onderzijde van het motorblok **6** alleen met een droge doek of met een stofwastje. Let erop dat niets door de ventilatieopeningen in het apparaat kan komen.

## Na het reinigen

Laat alle delen weer goed drogen alvorens de blender weer in elkaar te zetten en te gebruiken.

## Opbergen

- 1) Mocht u de blender langere tijd niet meer gebruiken, reinig deze dan grondig (zie hoofdstuk "Reinigen").
- 2) Rol het snoer in de richting van de pijl om de kabelspoel **7** onder aan het motorblok **6**.
- 3) Bewaar de blender op een koele, droge plaats.

## Milieurichtlijnen



**Gooi het apparaat in geen geval weg bij het gewone huisvuil. Dit product voldoet aan de Europese richtlijn 2012/19/EU.**

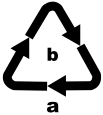
Voer het apparaat af via een erkend afvalverwerkingsbedrijf of via uw gemeentereiniging. Neem de momenteel geldende voorschriften in acht. Neem bij twijfel contact op met de verantwoordelijke instantie.



Mogelijkheden voor het afvoeren van het afgedankte product vindt u bij uw gemeente.



Het product is recycleerbaar; er is een uitgebreide producentenverantwoordelijkheid op van toepassing en het afval wordt gescheiden ingezameld.



Voer de verpakking af conform de milieuvoorschriften.

Let op de aanduiding op de verschillende verpakkingsmaterialen en voer ze zo nodig gescheiden af. De verpakkingsmaterialen zijn voorzien van afkortingen (a) en cijfers (b) met de volgende betekenis:

1-7: kunststoffen,  
20-22: papier en karton,  
80-98: composietmaterialen.



De verpakking bestaat uit milieuvriendelijke materialen, die u via de plaatselijke recyclepunten kunt afvoeren.

## **Garantie van Kompernaß Handels GmbH**

Geachte klant,

U hebt op dit apparaat 3 jaar garantie vanaf de aankoopdatum. In geval van gebreken in dit product hebt u wettelijke rechten tegenover de verkoper van het product. Deze wettelijke rechten worden door onze hierna beschreven garantie niet beperkt.

### **Garantievoorwaarden**

De garantieperiode geldt vanaf de datum van aankoop. Bewaar de kassabon zorgvuldig. U hebt hem nodig als bewijs van aankoop.

Als er binnen drie jaar vanaf de aankoopdatum van dit product een materiaal- of fabricagefout optreedt, wordt - naar onze keuze - het product door ons kosteloos gerepareerd of vervangen of wordt de koopprijs terugbetaald. Voorwaarde voor deze garantie is dat het defecte apparaat en het aankoopbewijs (kassabon) binnen de termijn van drie jaar worden overlegd en dat kort wordt omschreven waaruit het gebrek bestaat en wanneer het is opgetreden.

Wanneer het defect door onze garantie wordt gedekt, krijgt u het gerepareerde product of een nieuw product retour. Met de reparatie of vervanging van het product begint er geen nieuwe garantieperiode.

### **Garantieperiode en wettelijke aanspraken bij gebreken**

De garantieperiode wordt door deze waarborg niet verlengd. Dat geldt ook voor vervangen en gerepareerde onderdelen. Eventueel al bij aankoop aanwezige schade en gebreken moeten meteen na het uitpakken worden gemeld. Voor reparaties na afloop van de garantieperiode worden kosten in rekening gebracht.

### **Garantieomvang**

Het apparaat is op basis van strenge kwaliteitsnormen met de grootst mogelijke zorg vervaardigd en voorafgaand aan de levering nauwkeurig gecontroleerd.

De garantie geldt voor materiaal- of fabricagefouten. Deze garantie geldt niet voor productonderdelen die onderhevig zijn aan normale slijtage en die daarom als slijtonderdelen worden beschouwd, of voor schade aan breekbare onderdelen zoals schakelaars, accu's of onderdelen die van glas zijn gemaakt.

Deze garantie vervalt wanneer het product is beschadigd, ondeskundig is gebruikt of is gerepareerd. Voor deskundig gebruik van het product moeten alle in de gebruiksaanwijzing beschreven aanwijzingen precies worden opgevolgd. Gebruiksdoeleinden en handelingen die in de gebruiksaanwijzing worden afgeraden of waarvoor wordt gewaarschuwd, moeten beslist worden vermeden.

Het product is uitsluitend bestemd voor privégebruik en niet voor bedrijfsmatige doeleinden. Bij verkeerd gebruik en ondeskundige behandeling, bij gebruik van geweld en bij reparaties die niet door ons erkend servicefiliaal zijn uitgevoerd, vervalt de garantie.

## Afhandeling bij een garantiekwestie

Voor een snelle afhandeling van uw aanvraag neemt u de volgende aanwijzingen in acht:

- Houd voor alle aanvragen de kassabon en het artikelnummer (bijv. IAN 123456\_7890) als aankoopbewijs bij de hand.
- Het artikelnummer vindt u op het typeplaatje van het product, op het product gegraveerd, op de titelpagina van de gebruiksaanwijzing (linksonder) of op de sticker op de achter- of onderkant van het product.
- Als er fouten in de werking of andere gebreken optreden, neemt u eerst contact op met de hierna genoemde serviceafdeling, **telefonisch** of **via e-mail**.
- Een als defect geregistreerd product kunt u dan zonder portokosten naar het aan u doorgegeven serviceadres sturen. Voeg het aankoopbewijs (kassabon) bij en vermeld waaruit het gebrek bestaat en wanneer het is opgetreden.



Op [www.lidl-service.com](http://www.lidl-service.com) kunt u deze en vele andere handleidingen, productvideo's en installatiesoftware downloaden.

Met deze QR-code gaat u direct naar de website van Lidl Service ([www.lidl-service.com](http://www.lidl-service.com)) en kunt u met het invoeren van het artikelnummer (IAN) 360749\_2007 de gebruiksaanwijzing openen.

## Service

**NL** **Service Nederland**  
Tel.: 0900 0400223 (0,10 EUR/Min.)  
E-Mail: [kompermass@lidl.nl](mailto:kompermass@lidl.nl)

**BE** **Service België**  
Tel.: 070 270 171 (0,15 EUR/Min.)  
E-Mail: [kompermass@lidl.be](mailto:kompermass@lidl.be)

IAN 360749\_2007

## Importeur

Let op: het volgende adres is geen serviceadres. Neem eerst contact op met het opgegeven serviceadres.

KOMPERNASS HANDELS GMBH  
BURGSTRASSE 21  
44867 BOCHUM  
DUITSLAND  
[www.kompernass.com](http://www.kompernass.com)

## Obsah

<b>Úvod</b> .....	<b>78</b>
<b>Účel použití</b> .....	<b>78</b>
<b>Obsah balení</b> .....	<b>78</b>
<b>Popis přístroje</b> .....	<b>79</b>
<b>Technické údaje</b> .....	<b>79</b>
<b>Bezpečnost</b> .....	<b>80</b>
<b>Vybalení</b> .....	<b>82</b>
<b>Umístění</b> .....	<b>82</b>
<b>Obsluha</b> .....	<b>83</b>
Naplnění a montáž mixovacího nástavce .....	83
Volba stupně rychlosti .....	84
Plnění za provozu .....	85
Sejmutí mixovacího nástavce .....	85
<b>Užitečné pokyny</b> .....	<b>85</b>
<b>Recepty</b> .....	<b>86</b>
Banánový shake .....	86
Vanilkový shake .....	86
Cappucino shake .....	86
Tropical mix .....	87
Nugátovo-ořechový shake .....	87
Mrkvový shake .....	87
Rybízový mix .....	87
Hawaii shake .....	88
Ovocný ananasovo-jahodový mix .....	88
Andaluská studená polévka (gazpacho) .....	88
<b>Čištění</b> .....	<b>89</b>
Čištění mixovacího nástavce .....	89
Čištění motorového bloku .....	91
Po čištění .....	91
<b>Úschova</b> .....	<b>91</b>
<b>Likvidace</b> .....	<b>92</b>
<b>Záruka společnosti Kompernass Handels GmbH</b> .....	<b>93</b>
Servis .....	94
Dovozce .....	94



## Úvod

Gratulujeme!

Vám k zakoupení nového přístroje. Vaším nákupem jste si vybrali kvalitní výrobek. Návod k obsluze je součástí tohoto výrobku. Obsahuje důležité pokyny upozornění ohledně bezpečnosti, použití a likvidace. Před použitím výrobku si dobře přečtěte provozní a bezpečnostní pokyny. Výrobek používejte pouze předepsaným způsobem a v uvedených oblastech použití. Při předávání výrobku třetím osobám předávejte i tyto podklady.

## Účel použití

Tento přístroj je určen výlučně pro ...

- míchání, mixování a míšení potravin a drcení kostek ledu (tzv. „Crushen“),
- soukromému domácímu použití v suchých místnostech, pro potraviny v běžném množství.

Tento přístroj není určen ke ...

- mletí bylinek, cibule, masa a tvrdých částí potravin jako jsou např. ořechy, jádra, velká zrna nebo stonky,
- výroba ořechového pyré,
- zpracování materiálů, které nejsou potravinami,
- živnostenské nebo průmyslové použití,
- použití ve vlhkém prostředí nebo venku,
- zpracování horkých/vroucích tekutin.

Používejte pouze příslušenství a náhradní díly, které jsou určeny pro tento přístroj. Jiné díly nemusí být dostatečně vhodné nebo bezpečné!

## Obsah balení

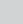

Po vybalení zkontrolujte kompletnost dodávky. Balení obsahuje:

- blok motoru se síťovým kabelem a zástrčkou
- mixovací nástavec
- víko
- plnicí kryt
- návod k obsluze

## Popis přístroje

- 1 Plnicí kryt
- 2 Víko
- 3 Mixovací nástavec
- 4 Řezací nůž
- 5 Spínač
- 6 Blok motoru
- 7 Navíjení kabelu
- 8 Stupnice
- 9 Gumové těsnění víka

## Technické údaje

Jmenovité napětí	220 – 240 V ~ (střídavý proud), 50 – 60 Hz
Jmenovitý výkon	600 W
Kapacita nádoby	cca 2,4 litrů
Max. množství naplnění	1,8 litru
Třída ochrany	II /  (dvojitá izolace)
Doba nepřetržitého mixování	3 minuty
	Všechny části tohoto přístroje, přicházející do styku s potravinami, jsou bezpečné pro potraviny.

Krátká provozní doba udává, jak dlouho je možné s přístrojem pracovat, aniž by se přehřál, a tím poškodil motor. Po uplynutí udané krátké provozní doby musí zůstat přístroj vypnutý do té doby, než motor zchladne.

## Bezpečnost

### **⚠ NEBEZPEČÍ ÚRAZU ELEKTRICKÝM PROUDEM**

- ▶ Zajistěte, aby nikdy nedošlo k ponoření bloku motoru, síťového kabelu nebo síťové zástrčky do vody nebo do jiné tekutiny.
- ▶ Používejte přístroj výhradně v suchých místnostech, nikdy venku nebo ve vlhkém prostředí.
- ▶ Dbejte na to, aby přívodní kabel během provozu nikdy neprovlhnul. Ved'te jej tak, aby se nikde nemohl zachytit nebo jinak poškodit.
- ▶ Poškozené zástrčky nebo síťový kabel nechte ihned vyměnit autorizovanými odborníky nebo zákaznickým servisem – vyhnete se tím nebezpečí.
- ▶ Po použití zástrčku vždy vytáhněte ze zásuvky. Samotné vypnutí nestačí, neboť je-li zástrčka zapojena do síťové zásuvky, je v přístroji stále síťové napětí.
- ▶ Před každým použitím zkontrolujte, jestli je přístroj v bezvadném stavu. Přístroj se nesmí používat, pokud vykazuje viditelná poškození, zejména na bloku motoru nebo mixovacím nástavci.
- ▶ Bude-li přístroj vydávat neobvyklé zvuky nebo zápach, resp. nebude-li správně fungovat, vytáhněte ihned zástrčku ze zásuvky.

### **⚠ VÝSTRAHA! NEBEZPEČÍ PORANĚNÍ!**

- ▶ Nesahejte nikdy do mixovacího nástavce, zejména ne za provozu. Nože jsou extrémně ostré!
- ▶ Pokud je zařízení v chodu, víko neotvírejte.
- ▶ Nepoužívejte přístroj nikdy pro jiné účely, než je popsáno v tomto návodu.

**⚠ VÝSTRAHA! NEBEZPEČÍ PORANĚNÍ!**

- ▶ Nikdy nestrkejte do nástavce části příborů nebo vařečky, dokud je přístroj v provozu. Hrozí nebezpečí vážného zranění, pokud se tyto předměty dotknou rychle se otáčejících nožů!
- ▶ Při nesprávném použití přístroje hrozí nebezpečí zranění.
- ▶ Nenechávejte přístroj pracovat bez dohledu, abyste v případě nebezpečí mohli ihned zareagovat.
- ▶ Dohlížejte na děti, aby si s přístrojem nehrály.
- ▶ Přístroj se při chybějícím dohledu a před montáží, demontáží nebo čištěním musí vždy odpojit od sítě.
- ▶ Přístroj nesmějí používat děti.
- ▶ Přístroj a jeho přípojný kabel se musí uchovávat mimo dosah dětí.
- ▶ Osoby s omezenými fyzickými, smyslovými nebo mentálními schopnostmi či nedostatkem zkušeností a/nebo znalostí mohou používat tento přístroj pouze tehdy, pokud jsou pod dohledem nebo pokud byly poučeny o bezpečném používání přístroje a pokud porozuměly z toho vyplývajícímu nebezpečí.
- ▶ Děti si nesmí hrát s přístrojem.
- ▶ Buďte opatrní při manipulaci s přístrojem. Nože jsou velmi ostré!
- ▶ Buďte opatrní při vyprazdňování mixéru! Nože jsou velmi ostré!
- ▶ Buďte opatrní při čištění přístroje! Nože jsou velmi ostré!
- ▶ Vypněte přístroj a vytáhněte síťovou zástrčku ze zásuvky ještě předtím, než vyměníte příslušenství nebo se dotknete dílů, které byly během provozu v pohybu.

## **⚠ VÝSTRAHA! NEBEZPEČÍ PORANĚNÍ!**

- ▶ Mixovací nástavec používejte pouze s dodaným blokem motoru!
- ▶ Před sejmutím mixovacího nástavce z bloku motoru se vždy ujistěte, že je mixér vypnutý!

## **POZOR! VĚCNÉ ŠKODY!**

- ▶ Nepoužívejte přístroj v místě přímého slunečního záření nebo v tepelném dosahu zařízení generujících teplo.
- ▶ Nikdy do mixovacího nástavce nelijte vařící tekutiny! Nechte je nejprve zchladnout na vlažnou teplotu.
- ▶ Neprovozujte nikdy přístroj v prázdném stavu, t.j. bez přísad v mixovacím nástavci.

## **Vybalení**

- Odstraňte z přístroje všechny části balení nebo ochranné fólie. Obal uschovejte pro chráněné skladování, nebo zaslání, např. v případě potřeby opravy.
- Před použitím přístroje se ujistěte, zda není přístroj poškozený, také zkontrolujte síťový kabel se zástrčkou a veškeré příslušenství a součásti přístroje.
- Před prvním použitím stabilního mixéru vyčistěte pečlivě všechny součásti (viz "Čištění").

## **Umístění**

Jakmile jste vyčistili všechny díly, jak je uvedeno v kapitole „Čištění“:



- Umístěte přístroj tak, aby, ...
  - napájecí kabel je vedený vývrtem na zadní straně,
  - zástrčka byla okamžitě dosažitelná, aby mohla být v případě nebezpečí ihned vytažena ze zásuvky,
  - stál stabilně a nemohl proklouznout, a aby se přísavky mohly dobře uchytit napevno, a aby v případě vibrací nedošlo k převrácení spotřebiče,
  - aby kabel ó nezasahoval do pracovní oblasti a nehrozilo převrnutí přístroje v důsledku nechtěného zachycení kabelu.

## Obsluha


### **VÝSTRAHA!**

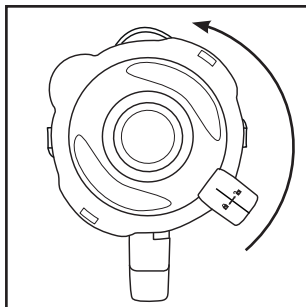
- ▶ Motor se vypne, jakmile se mixovací nástavec ③ sejme z bloku motoru ⑥ nebo se otevře víko ②. Pak lze snadno přehlednout, že je přístroj ještě pořád zapnutý. Motor se pak neočekávaně spustí, jakmile se nasadí mixovací nástavec ③ nebo se víko ② opět uzavře:
  - Strčte zástrčku do zásuvky až tehdy, jakmile je nástavec ③ naplněn a namontován.
  - Vždy se před montáží ujistěte, že je přístroj vypnutý nebo je zástrčka vytažená ze zásuvky.
  - Nejprve stroj vypněte, vytáhněte síťovou zástrčku a vyčkejte, než se motor zastaví, a až poté sejměte mixovací nástavec ③ nebo otevřete víko ②.

## Naplnění a montáž mixovacího nástavce

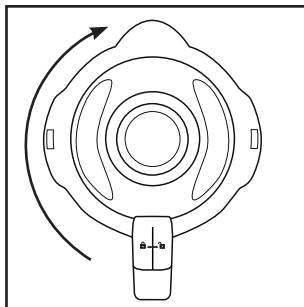
- 1) Mixovacím nástavcem ③ otáčejte proti směru hodinových ručiček, dokud šipka ▼ nebude umístěna pod rukojeť mixovacího nástavce ③ nad pozici . Sejměte mixovací nástavec ③ rovně nahoru z bloku motoru ⑥.
- 2) Sejměte víko ② jeho otáčením proti směru hodinových ručiček tak daleko do pozice  (viz obr. 1), dokud jej nebudete moci stáhnout směrem nahoru.
- 3) Mixovací nástavec ③ plňte alespoň k dolní čáře stupnice ⑧ a maximálně po značku MAX. Pro optimální výsledky doporučujeme následující maximální množství náplně:

Potravina	Maximální množství náplně	Doporučený stupeň	Doporučená doba zpracování
Tekutiny	1800 ml	1–3	60 s
Jogurtové míchané nápoje	1250 ml	2–5	90 s
Mléčné koktejly / smoothie	1250 ml	2–5	60–90 s
Palačinkové těsto	1250 ml	3–5	90 s
Dětská kaše	750 g	5	3 min
Majonéza	2 vejce 250 ml oleje	3–5	90–120 s
Zeleninová polévka	1 500 ml	3–5	3 min
Kostky ledu	250 ml	P	12x



- 4) Posunuté víko **2** opět pevně přitlačte na mixovací nástavec 3. Zavřete víko **2** jeho otáčením ve směru hodinových ručiček do pozice , dokud slyšitelně nezaskočí (viz obr. 2). Dbejte na to, aby byl na mixovacím nástavci **3** uzavřen také výlevkový zobáček. Až když je víko **2** správně nasazené, může se spustit motor.



Obr. 1



Obr. 2

- 5) Zatlačte plnicí kryt **1** až na doraz do otvoru víka.
- 6) Nasadíte naplněný a uzavřený mixovací nástavec **3** na blok motoru **6**. K tomu použijte vybrání na bloku motoru **6** a přitom dbejte na to, aby šipka ▼ na mixovacím nástavci ukazovala na symbol . Otočte mixovací nástavec **3** ve směru hodinových ručiček do pozice , dokud slyšitelně nezaskočí. Až když je mixovací nástavec **3** správně nasazený, může se spustit motor.

## Volba stupně rychlosti

Když je mixovací nástavec **3** zcela naplněný a úplně uzavřený nasazen na bloku motoru **6**, můžete přístroj zapnout.

Nastavte spínač **5** na ...

### ■ stupeň 1-3

pro tekuté a středně tuhé potraviny, pro směšování, rozměňování a míchání

### ■ stupeň 3-5

pro tužší potraviny nebo pro drcení

### ■ Stupeň P (pulzní funkce)

Pro krátký, silný pulsní režim, např. pro drcení kostek ledu nebo čištění. Pro nezařízení motoru nezaklapne přepínač **5** do této polohy. Držte proto přepínač **5** v této poloze pouze krátce.

## UPOZORNĚNÍ

- ▶ Naplňte mixovací nástavec **3** minimálně 180 g ledových kostek. Jinak přístroj ledové kostky optimálně nerozdrtí.

## Plnění za provozu

### VÝSTRAHA!



- ▶ Chcete-li do nástavce něco přidat za provozu, smíte otevřít pouze k tomu určený plnicí kryt **1**. V žádném případě neotvírejte víko **2**.
- ▶ Nikdy nestrkejte do nástavce **3** části příborů nebo vařečky, dokud je přístroj v provozu. Hrozí nebezpečí vážného zranění, pokud se tyto předměty dotknou rychle se otáčejících nožů **4**!

Abyste do nástavce mohli něco přidat za provozu, ...

- 1) Vytáhněte plnicí kryt **1** z víka **2**.
- 2) Vyplňte složkách.
- 3) Plnicí kryt **1** poté zatlačte opět do otvoru víka.

## Sejmutí mixovacího nástavce

Když je zpracování naplněných potravin ukončeno:

- 1) Vždy nastavte nejprve spínač **5** do polohy vyp. („0“) a vytáhněte síťovou zástrčku.
- 2) Než sejmete mixovací nástavec **3** z bloku motoru **6**, vždy počkejte, než se motor zastaví. Mixovacím nástavcem **3** k tomu otáčejte proti směru hodinových ručiček, dokud šipka  nebude umístěna pod rukojeť mixovacího nástavce **3** nad polohou . Sejměte mixovací nástavec **3** rovně nahoru z bloku motoru **6**.

## Užitečné pokyny

- Aby bylo možno při rozmělnování pevných potravin dosáhnout těch nejlepších výsledků, do nástavce **3** postupně přidávejte jen malé dávky a nepřidávejte najednou velká množství.
- Pokud zpracováváte pevné potraviny, rozkrájejte je na malé kousky (2-3 cm).
- Při mixování ovoce nebo zeleniny přidejte alespoň 50 ml tekutiny.
- Nejprve do mixovacího nástavce **3** dejte hustší přísady, např. jogurt. Pokud se během mixování nezachytí všechny přísady, sejmete mixovací nástavec **3** z bloku motoru **6**, sejmete víko **2** a zamíchejte přísady např. lžící. Nasadíte mixovací nástavec **3** s uzavřeným víkem **2** opět na blok motoru **6** a pokračujte v mixování.
- Při mixování tekutých přísad nejprve začněte malým množstvím tekutiny. Pak postupně otvorem v krytu přidávejte více tekutiny.
- Přístroj můžete za chodu stabilizovat tím, že nahoru na uzavřený mixér položíte ruce.
- Pro míchání pevných nebo velmi hustých potravin může být výhodné použít stupeň **P**, aby nedošlo k zaseknutí řezacího nože **4**.



## UPOZORNĚNÍ

- ▶ Nepoužívejte přístroj ke mletí hrubých zrn jedlé soli, rafinovaného nebo bílého cukru, například na výrobu práškového cukru.

## Recepty

### Banánový shake

- 2 banány
- cca. 2 polévkové lžíce cukru  
(v závislosti na zralosti banánů a podle osobní chuti)
- ½ litru mléka
- 1 střík citronové šťávy

Oloupejte banány a rozmixujte je na stupni 2. Přilévejte postupně mléko a potom k tomu přidejte cukr a citronovou šťávu. Mixujte vše tak dlouho, dokud se celá masa nerozmixuje na homogenní tekutinu. Shake podávejte chlazený.

### Vanilkový shake

- ¼ litru mléka
- 250 g vanilkové zmrzliny
- 125 g ledových kostek
- 1 ½ lžičky cukru

Rozdrťte kostky ledu stupněm **P**. Dejte zbývající přísady do mixéru. Mixujte vše na stupni 2 tak dlouho, dokud se nevytvoří rovnoměrná tekutina.

### Cappucino shake

- 65 ml studeného espressa (nebo velmi silné kávy)
- 65 ml mléka
- 15 g cukru
- 65 g vanilkové zmrzliny
- 100 g ledových kostek

Rozdrťte kostky ledu stupněm **P**. Přidejte k tomu espresso, mléko a cukr. Mixujte vše na stupni 2, dokud se cukr nerozpustí. Nakonec přidejte trochu vanilkové zmrzliny a vše promixujte krátce na stupni 1.

## Tropical mix

- 125 ml ananasového džusu
- 60 ml šťávy papája
- 50 ml pomerančové šťávy
- ½ malá plechovka broskví se šťávou
- 125 g ledových kostek

Rozdrťte kostky ledu stupněm **P**. Dejte všechny přísady do mixéru a dobře vše promixujte na stupni 3.

## Nugátovo-ořechový shake

- ½ litru mléka
- 200 g nugátovo-oříškového krému
- 1 kopeček vanilkové zmrzliny
- 50 ml smetany

Všechny přísady promixujte na stupni 3, dokud se vše dobře nepromixuje.

## Mrkvový shake

- 300 ml jablečné šťávy
- 500 ml mrkvové šťávy
- 4 polévkové lžíce oleje (olej z pšeničných klíčků nebo řepkový olej)
- 4 lpolévkové lžíce citrónové šťávy
- zázvorový prášek
- pepř

Dejte do mixéru jablečnou šťávu, olej a citrónovou šťávu a mixujte vše na stupni 2. Poté přidejte mrkvovou šťávu a opět mixujte vše na stupni 2. Poté dochuťte shake zázvorovým práškem a pepřem.

## Rybízový mix

- 2 lžičky medu
- 2 banány
- ¼ litru podmáslí
- ¼ litru rybízové šťávy (z černého rybízu)

Dejte všechny přísady do mixéru a dobře vše promixujte na stupni 3.

## Hawaii shake

- 4 banány
- ¼ litru ananasového džusu
- ½ litru mléka
- 2 polévkové lžíce medu
- ¼ litru rumu

Oloupejte banány a rozmixujte je na stupni 2. Přidejte k tomu další přísady a vše dobře promixujte na stupni 1.

## Ovocný ananasovo-jahodový mix

- 250 ml ananasového džusu
- 200 g jahod
- 300 ml jablečné šťávy
- 4 kostky ledu

Jahody dobře umyjte a odstraňte stopky. Rozdrťte kostky ledu stupněm **P**. Poté je rozmixujte na stupni 2. Přidejte k tomu další přísady a vše dobře promixujte na stupni 1.

## Andaluská studená polévka (gazpacho)

- ½ okurky
- 1 rajče
- 1 zelená paprika
- ½ cibule
- 1 stroužek česneku
- ½ housky, bílého chleba
- ½ lžičky soli
- 1 lžička červeného vinného octu
- 1 polévková lžíce olivového oleje

Zeleninu nakrájejte na cca. 2 cm velké kusy. Do mixéru dejte nejdříve rajčata a potom přidejte okurky. Rozmixujte vše na stupni 3. Poté přidejte zbývající přísady a nechte vše dobře promixovat na stupni 3, dokud není polévka hotová. Podávejte s chlebem.

### UPOZORNĚNÍ

- ▶ Recepty jsou bez záruky. Všechny údaje o přísadách a o přípravě jsou jen orientační. Doplňte tyto navrhované recepty o své vlastní zkušenosti.

### UPOZORNĚNÍ

- ▶ V případě známé nesnášenlivosti laktózy doporučujeme použít mléko bez laktózy. Myslete však na to, že mléko bez laktózy je o něco sladší.

## Čištění

### **⚠ VÝSTRAHA! NEBEZPEČÍ ÚRAZU ELEKTRICKÝM PROUDEM!**

Než se pustíte do čištění mixéru a jeho dílů:

- Ujistěte se, že je zařízení vypnuté a zástrčka je vytažená.



Blok motoru **6** se v žádném případě nesmí ponořovat do vody nebo jiných tekutin. Hrozí tak nebezpečí ohrožení života úderem elektrickým proudem a přístroj se může poškodit.

- Nikdy neotvírejte plášť přístroje. Jinak by mohlo dojít k nebezpečí nehody a ohrožení života v důsledku zásahu elektrického proudu.

### **⚠ VÝSTRAHA! NEBEZPEČÍ ZRANĚNÍ!**

- Nikdy nesahejte do mixovacího nástavce **3**, zejména pokud je v provozu. Řezací nože **4** jsou extrémně ostré!

### **POZOR! VĚCNÉ ŠKODY!**

- Na plochy z umělé hmoty nepoužívejte žádná ředidla ani abraziva. Jinak by mohlo dojít k jejich poškození.

## Čištění mixovacího nástavce

- Nástavec **3** čistěte jen kartáčem na nádobí s dlouhou rukojetí, tak abyste se nemohli zranit o nože **4**.
- Umyjte plnicí kryt **1** a víko **2** v jemném mýdlovém roztoku. Dbejte na to, aby gumové těsnění **9** správně sedělo, než poté znovu použijete víko **2**.

### **UPOZORNĚNÍ**

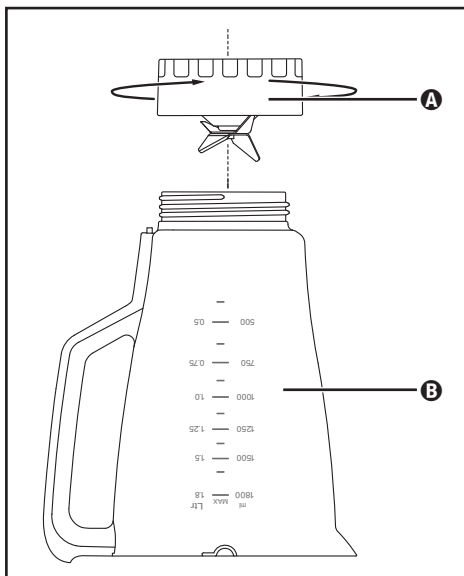


Víko **2**, plnicí kryt **1** a mixovací nástavec **3** s řezacím nožem **4** můžete mýt také v myčce nádobí.

Položte díly dle možnosti do horního koše myčky a dbejte na to, aby se nezaklínily.

- Pokud přístroj čistíte ihned po použití, docílíte ve většině případů dostatečně hygienického vyčištění následující alternativou:  
Do mixovací nádoby **3** nalijte 750 ml vody a přidejte pár kapek jemného mycího prostředku. Uzavřete víko **2** a nasadte mixovací nástavec **3** na blok motoru **6**. Zastrčte síťovou zástrčku do zásuvky a několikrát stiskněte pulzní funkci, aby řezací nože **4** propluly vodou s maximálními otáčkami. Mixovací nástavec **3** poté vypláchněte velkým množstvím čisté vody, aby se odstranily všechny zbytky mycího prostředku.

- Aby bylo možné lépe odstranit nepoddajné nečistoty, můžete nástavec **A** s řezacími noži **4** uvolnit z nádoby **B** mixovacího nástavce **3**:



Obr. 3

- 1) Sejměte mixovací nástavec **3** z bloku motoru **6**. Pro lepší stabilitu sejměte víko **2** (viz obr. 1).
- 2) Přístroj postavte vzhůru nohama a nástavec **A** otáčejte proti směru hodinových ručiček tak, aby se uvolnil z nádoby **B** (viz obr. 3).

### **⚠ VÝSTRAHA! NEBEZPEČÍ ZRANĚNÍ!**

► S řezacími noži **4** zacházejte opatrně. Jsou velmi ostré!

- 3) Nástavec **A** a nádobu **B** důkladně umyjte v jemném mýdlovém roztoku nebo v myčce nádobí.
- 4) Všechny díly před opětovným smontováním důkladně osušte.
- 5) Nástavec **A** s řezacími noži **4** opět upevněte na nádobu **B** mixovacího nástavce **3** a otočte ve směru hodinových ručiček.

## Čištění motorového bloku

- 1) Povrchy očistěte vlhkým hadříkem. V případě potřeby přidejte na hadřík jemný mycí prostředek. Abyste odstranili případné zbytky mycího prostředku, povrchy otřete hadříkem namočeným pouze vodou. Poté povrchy vytřete do sucha.
- 2) Při každém čištění zkontrolujte, aby kontaktní spínač v uložení nástavce **3** nebyl zablokován zbytky nečistot. Nemůžete-li tyto zbytky nečistot odstranit růžkem listu papíru, obraťte se na zákaznický servis. V žádném případě nepoužívejte tvrdý předmět, kontaktní spínač by se tím mohl poškodit.
- 3) Odstraňte případné nečistoty na spodní straně bloku motoru **6** výhradně suchým hadříkem nebo prachovým šátečkem. Zajistěte, aby nepronikly větracími otvory do přístroje.

## Po čištění

Všechny díly nechte dobře oschnout, než mixér opět smontujete a použijete.

## Úschova

- 1) Nepoužíváte-li mixér delší dobu, řádně jej vyčistěte (viz kapitolu „Čištění“).
- 2) Oviňte síťový kabel ve směru šipky kolem navíjení kabelu **7** na dně bloku motoru **6**.
- 3) Mixér uchovávejte na chladném a suchém místě.

## Likvidace



**V žádném případě nevyhazujte přístroj do normálního domovního odpadu. Tento výrobek podléhá evropské směrnici č. 2012/19/EU.**

Zlikvidujte přístroj prostřednictvím schváleného likvidačního podniku nebo vašeho komunálního sběrného dvora. Dodržujte aktuálně platné předpisy. V případě pochybností se informujte ve sběrném dvoře.



Informace o možnostech likvidace vysloužilého výrobku Vám podá správa Vašeho obecního nebo městského úřadu.



Výrobek je recyklovatelný, podléhá rozšířené odpovědnosti výrobce a je shromažďován odděleně.



Balení zlikvidujte ekologicky.

Dbajte na označení na různých obalových materiálech a v případě potřeby je rozříd'te odděleně. Obalové materiály jsou označeny zkratkami (a) a číslicemi (b) s následujícím významem:

1–7: Plasty,

20–22: Papír a lepenka,

80–98: Kompozitní materiály.



Balení se skládá z ekologických materiálů, které lze zlikvidovat v komunálních sběrných dvorech.

## Záruka společnosti Kompernass Handels GmbH

Vážená zákaznice, vážený zákazníku,

na tento přístroj získáváte záruku v trvání 3 let od data zakoupení. V případě závad tohoto výrobku máte zákonná práva vůči prodejci výrobku. Tato zákonná práva nejsou omezena naší níže uvedenou zárukou.

### Záruční podmínky

Záruční doba začíná plynout dnem nákupu. Dobře uschovejte pokladní doklad. Tento doklad je potřebný jako důkaz o koupi.

Pokud se do tří let od data zakoupení tohoto výrobku vyskytne vada materiálu nebo výrobní závada, pak Vám podle našeho uvážení výrobek zdarma opravíme, vyměníme nebo uhradíme kupní cenu. Předpokladem této záruky je, že bude během tříleté lhůty předložen vadný přístroj a doklad o koupi (pokladní doklad) a stručně se popíše, v čem závada spočívá a kdy se vyskytla.

Vztahuje-li se na závadu naše záruka, obdržíte zpět buď opravený nebo nový produkt. Opravou nebo výměnou výrobku nezačne plynout nová záruční doba.

### Záruční doba a zákonné nároky vyplývající ze závad

Záručním plněním se záruční doba neprodlužuje. To platí i pro vyměněné a opravené součásti. Poškození nebo vady vyskytující se případně již při nákupu se musí oznámit ihned po vybalení. Po uplynutí záruční doby podléhají veškeré opravy zpoplatnění.

### Rozsah záruky

Přístroj byl vyroben pečlivě podle přísných směrnic kvality a před expedicí byl svědomitě vyzkoušen.

Záruka se vztahuje na materiálové nebo výrobní vady. Tato záruka se nevztahuje na součásti výrobku, které jsou vystaveny běžnému opotřebení, a proto je lze považovat za spotřební díly, nebo na poškození křehkých součástí, jako jsou např. spínače, akumulátory nebo díly, které jsou vyrobeny ze skla.

Tato záruka zaniká, pokud je výrobek poškozen, nebyl řádně používán nebo udržován. Pro zajištění správného používání výrobku se musí přesně dodržovat všechny pokyny uvedené v návodu k obsluze. Účelům použití a úkonům, které se v návodu k obsluze nedoporučují nebo se před nimi varuje, je třeba se bezpodmínečně vyhnout.

Výrobek je určen pouze pro soukromé účely a ne pro komerční použití. Při nesprávném a neodborném používání, při použití násilí a při zásazích, které nebyly provedeny našimi autorizovanými servisními provozovny, záruční nároky zanikají.



## Vyřízení v případě záruky

Pro zajištění rychlého Vaší žádosti postupujte podle následujících pokynů:

- Pro všechny dotazy mějte připraven pokladní lístek a číslo výrobku (např. IAN 123456\_7890) jako doklad o koupi.
- Číslo výrobku naleznete na typovém štítku na výrobku, rytině na výrobku, na titulní straně návodu k obsluze (vlevo dole) nebo na nálepce na zadní nebo spodní straně výrobku.
- Pokud by se měly vyskytovat funkční vady nebo jiné závady, kontaktujte nejprve níže uvedené servisní oddělení **telefonicky** nebo **e-mailem**.
- Výrobek, zaevidovaný jako vadný výrobek pak můžete při přiložení dokladu o nákupu (pokladní lístek) a při uvedení, v čem spočívá vada a kdy k ní došlo, poslat výrobek pro Vás bez poštovního na adresu, kterou Vám oznámí servis.



Na webových stránkách [www.lidl-service.com](http://www.lidl-service.com) si můžete stáhnout tyto a mnoho dalších příruček, videí o výrobku a instalační software.

Pomocí kódu QR se dostanete přímo na stránku servisu Lidl ([www.lidl-service.com](http://www.lidl-service.com)) a můžete pomocí zadání čísla výrobku (IAN) 360749\_2007 otevřít svůj návod k obsluze.

## Servis



**Servis Česko**

Tel.: 800143873

E-Mail: [kompernass@lidl.cz](mailto:kompernass@lidl.cz)

IAN 360749\_2007

## Dovozce

Dbejte prosím na to, že následující adresa není adresou servisu. Kontaktujte nejprve uvedený servis.

KOMPERNASS HANDELS GMBH

BURGSTRASSE 21

44867 BOCHUM

NĚMECKO

[www.kompernass.com](http://www.kompernass.com)

## Spis treści

<b>Wprowadzenie</b> .....	<b>96</b>
<b>Użytkowanie zgodne z przeznaczeniem</b> .....	<b>96</b>
<b>Zakres dostawy</b> .....	<b>96</b>
<b>Opis urządzenia</b> .....	<b>97</b>
<b>Dane techniczne</b> .....	<b>97</b>
<b>Wskazówki bezpieczeństwa</b> .....	<b>98</b>
<b>Rozpakowanie</b> .....	<b>100</b>
<b>Ustawianie</b> .....	<b>100</b>
<b>Obsługa</b> .....	<b>101</b>
Napełnianie i montowanie przystawki miksującej .....	101
Wybór stopnia prędkości .....	102
Napełnianie podczas pracy .....	103
Zdejmowanie przystawki miksującej .....	103
<b>Przydatne wskazówki</b> .....	<b>103</b>
<b>Przepisy</b> .....	<b>104</b>
Shake bananowy .....	104
Shake waniliowy .....	104
Shake Cappucino .....	105
Koktajl tropikalny .....	105
Shake z kremem nugatowo-orzechowym .....	105
Shake marchewkowy .....	105
Koktajl porzeczkowy .....	106
Shake po hawajsku .....	106
Owocowy koktajl ananasowo-truskawkowy .....	106
Chłodnik andaluzyjski (Gazpacho) .....	106
<b>Czyszczenie</b> .....	<b>107</b>
Czyszczenie przystawki miksującej .....	107
Czyszczenie bloku silnika .....	109
Po zakończeniu czyszczenia .....	109
<b>Przechowywanie</b> .....	<b>109</b>
<b>Utylizacja</b> .....	<b>110</b>
<b>Gwarancja Kompernaß Handels GmbH</b> .....	<b>111</b>
Serwis .....	112
Importer .....	112

## Wprowadzenie

Gratulujemy Ci zakupu naszego urządzenia.

Jest to produkt wysokiej jakości. Instrukcja obsługi stanowi część tego produktu. Zawiera ona ważne wskazówki dotyczące bezpieczeństwa, użytkowania i utylizacji urządzenia. Przed przystąpieniem do użytkowania produktu zapoznaj się z wszystkimi wskazówkami obsługi i bezpieczeństwa. Używaj produkt zgodnie z opisem i w podanych obszarach użytkowania. W razie przekazania produktu następnej osobie, nie zapomnij dołączyć również instrukcji obsługi.

## Użytkowanie zgodne z przeznaczeniem

Niniejsze urządzenie jest przeznaczone wyłącznie do ...

- miksowania, przecierania i mieszania produktów spożywczych oraz kruszenia kostek lodu,
- przetwarzanie wyłącznie ilości na domowe potrzeby i do użytku prywatnego w suchych pomieszczeniach.

Do czego nie jest przeznaczone to urządzenie ...

- rozdrabnianie ziół, cebuli, mięsa oraz twardych produktów spożywczych, jak np. orzechy, nasiona, duże pestki lub łodygi,
- wytwarzanie musu orzechowego,
- przetwarzanie materiałów innych niż produkty spożywcze,
- zastosowanie do celów komercyjnych lub przemysłowych,
- użytkowanie w wilgotnym otoczeniu lub na wolnym powietrzu,
- przygotowywanie gorących/gotujących się płynów.

Używaj wyłącznie części zamiennych i akcesoriów przeznaczonych do tego urządzenia. Inne części mogą być niewystarczająco dopasowane lub niebezpieczne!

## Zakres dostawy

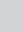

Po rozpakowaniu urządzenia sprawdź, czy w zestawie znajdują się wszystkie części. Zakres dostawy obejmuje:

- blok silnika, z kablem i wtyczką sieciową
- przystawka miksująca
- pokrywka
- przykrywka otworu wlotowego
- instrukcja obsługi

## Opis urządzenia

- 1 przykrywka otworu wlotowego
- 2 pokrywka
- 3 przystawka miksująca
- 4 nóż tnący
- 5 przełącznik
- 6 blok silnika
- 7 schowek na kabel zasilający
- 8 skala
- 9 Uszczelka gumowa pokrywki

## Dane techniczne

Napięcie nominalne	220 - 240 V ~ (prąd przemienny), 50 - 60 Hz
Moc znamionowa	600 W
Pojemność	ok. 2,4 litra
Maks. ilość napełnienia	1,8 litra
Klasa ochronności	II /  (podwójna izolacja)
Czas pracy ciągłej	3 minuty
	Wszystkie części tego urządzenia mające kontakt z żywnością, są do tego odpowiednio przystosowane.

Czas pracy ciągłej określa, jak długo można używać urządzenie bez zagrożenia szcasu pracy ciągłej urządzenie należy wyłączyć i odczekać aż do całkowitego ostygnięcia silnika.

## Wskazówki bezpieczeństwa

### **⚠ NIEBEZPIECZEŃSTWO PORAŻENIA PRĄDEM ELEKTRYCZNYM!**

- ▶ Upewnij się, że blok silnika, kabel sieciowy ani wtyczka nie są zanurzone w wodzie ani innej cieczy.
- ▶ Korzystaj z urządzenia wyłącznie w suchych pomieszczeniach, nigdy na wolnym powietrzu ani w wilgotnych pomieszczeniach.
- ▶ Zwróć uwagę, czy kabel w trakcie użytkowania urządzenia nie był wilgotny ani mokry. Kabel układać w taki sposób, aby nie został on zakleszczony lub uszkodzony w inny sposób.
- ▶ Naprawę uszkodzonej wtyczki lub kabla sieciowego zleć niezwłocznie wykwalifikowanemu personelowi lub serwisowi klienta.
- ▶ Po zakończeniu używania należy zawsze wyciągnąć wtyczkę z gniazdka. Samo wyłączenie urządzenia nie wystarczy, gdyż jest ono nadal podłączone do napięcia sieci, dopóki wtyczka sieciowa znajduje się w gniazdku.
- ▶ Przed każdym użyciem sprawdź stan urządzenia. Nie wolno używać urządzenia w przypadku widocznych uszkodzeń, w szczególności jeśli uszkodzenia dotyczą bloku silnika lub przystawki miksującej.
- ▶ W przypadku stwierdzenia nietypowych odgłosów pracy urządzenia lub zauważenia usterek jak najszybciej wyciągnij wtyczkę z gniazdka.

### **⚠ ZAGROŻENIE ODNIESIENIEM OBRAŹEŃ!**

- ▶ Nigdy nie wkładaj ręk do przystawki miksującej, szczególnie podczas pracy urządzenia. Noże są bardzo ostre!
- ▶ Nigdy nie otwieraj pokrywy, gdy urządzenie znajduje się w trakcie pracy.
- ▶ Nie wolno pozostawiać żelazka parowego bez nadzoru, gdy jest podłączone do sieci.

**⚠ ZAGROŻENIE ODNIESIENIEM OBRAŹEN!**

- ▶ W czasie pracy urządzenia nigdy nie wkładaj do przystawki miksującej sztućców ani żadnych przyrządów do mieszania. Występuje poważne niebezpieczeństwo odniesienia obrażeń gdy włożone przedmioty dotkną obracających się z dużą prędkością noży.
- ▶ Dzieci nie mogą bawić się urządzeniem.
- ▶ Nie używaj urządzenia do innych celów niż opisane w tej instrukcji.
- ▶ Nieprawidłowe użycie urządzenia powoduje niebezpieczeństwo powstania obrażeń.
- ▶ Przy braku nadzoru oraz przed montażem, złożeniem, rozłożeniem lub czyszczeniem należy zawsze odłączyć urządzenie od zasilania sieciowego.
- ▶ Dzieci nie mogą posługiwać się urządzeniem.
- ▶ Urządzenie oraz jego kabel zasilający należy trzymać poza zasięgiem dzieci.
- ▶ To urządzenie może być używane przez osoby o zmniejszonych zdolnościach fizycznych, sensorycznych lub umysłowych lub też osoby nieposiadające odpowiedniego doświadczenia i/ lub wiedzy, wyłącznie pod nadzorem lub po przeszkoleniu w zakresie bezpiecznego używania urządzenia oraz wynikających z niego zagrożeń.
- ▶ Nie można pozwolić dzieciom na zabawę urządzeniem.
- ▶ Zachowaj ostrożność podczas posługiwania się urządzeniem. Ostrza są bardzo ostre!
- ▶ Podczas opróżniania pojemnika do miksowania zachowaj ostrożność! Ostrza są bardzo ostre!
- ▶ Podczas czyszczenia urządzenia zachowaj ostrożność! Ostrza są bardzo ostre!
- ▶ Zanim zaczniesz zmieniać akcesoria lub dotkniesz części, które w trakcie pracy urządzenia się poruszają, wyłącz urządzenie i wyjmij wtyczkę sieciową z gniazda.

## **⚠ ZAGROŻENIE ODNIESIENIEM OBRAŻEŃ!**

- ▶ Należy się upewnić, aby mikser był zawsze wyłączony, zanim zacznie zdejmować się przystawkę miksującą z bloku silnika!
- ▶ Przystawkę miksującą należy używać wyłącznie z dołączonym do niej blokiem silnika.

## **UWAGA! SZKODY MATERIALNE!**

- ▶ Nigdy nie używaj urządzenia w obszarze bezpośredniego działania promieni słonecznych ani oddziaływania ciepłego przez urządzenia wytwarzające ciepło.
- ▶ Nigdy nie wlewaj do przystawki miksującej wrzących płynów! Najpierw odczekaj, aż ostygną.
- ▶ Nigdy nie używaj urządzenia bez uprzedniego dodania składników, np. bez składników w końcówce miksującej.

## **Rozpakowanie**

- Zdejmij z urządzenia wszystkie elementy opakowania lub folie ochronne. Zachowaj opakowanie w celu bezpiecznego przechowywania urządzenia lub umożliwienia jego odesłania, np. w razie naprawy.
- Zanim przystąpisz do korzystania z urządzenia upewnij się, czy urządzenie, w tym jego kabel sieciowy z wtyczką oraz wszystkie akcesoria i elementy wyposażenia nie uległy uszkodzeniu.
- Przed pierwszym użyciem miksera starannie wymyj wszystkie elementy (zobacz „Czyszczenie”).

## **Ustawianie**

Po wyczyszczeniu wszystkich części, jak opisano w rozdziale „Czyszczenie”:

- Jak należy ustawić urządzenie, ...
  - by kabel sieciowy wychodził przez otwór z tyłu,
  - wtyczka musi się znajdować w łatwo dostępnym miejscu, by móc ją szybko wyciągnąć z gniazdka w razie wystąpienia niebezpieczeństwa.
  - aby stało ono stabilnie na podstawie i możliwe było przyssanie się przyssawek uniemożliwiających w ten sposób przewrócenie się urządzenia po wystąpieniu drgań.
  - kabel sieciowy nie może sięgać do obszaru roboczego, ponieważ przypadkowe pociągnięcie za kabel mogłoby spowodować przewrócenie urządzenia.

## Obsługa

### OSTRZEŻENIE!

- ▶ Silnik wyłącza się, gdy tylko przystawka miksująca ③ zostanie zdjęta z bloku silnika ⑥ lub po otwarciu pokrywy ②. W związku z tym można przeoczyć, że maszyna pozostaje w dalszym ciągu włączona. Silnik uruchamia się wtedy nagle, gdy tylko przystawka miksująca ③ zostanie zamontowana lub ponownie zamknie się pokrywę ②.

Dlatego:

- Podłączaj wtyczkę do gniazdka dopiero wtedy, gdy przystawka miksująca ③ będzie do końca zapelniona i założona z zamknięciem.
- Zawsze przed przystąpieniem do zamontowania upewnij się, że urządzenie jest wyłączone lub wtyczka wyciągnięta z gniazdka.
- Najpierw wyłącz urządzenie, wyciągnij wtyk sieciowy i odczekaj do pełnego zatrzymania silnika, zanim zdejmiesz przystawkę miksującą ③ lub otworzysz pokrywę ②.

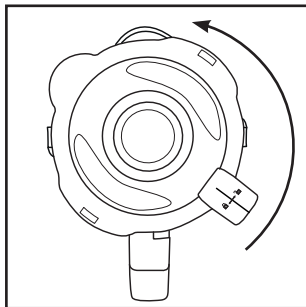
## Napełnianie i montowanie przystawki miksującej

- 1) Nakręć przystawkę miksującą ③ obracając ją w lewo, aż strzałka ▼ pod uchwytem przystawki miksującej ③ znajdzie się nad pozycją ↙. Zdejmij przystawkę miksującą ③ prosto z bloku silnika ⑥.
- 2) Zdemontuj pokrywę ②, obracając ją na tyle w lewo w kierunku pozycji ↗ (patrz rys. 1), aż będzie można ją zdjąć do góry.
- 3) Napełnij przystawkę miksującą ③ co najmniej do kreski umieszczonej najniżej na skali ④ i maksymalnie do oznaczenia MAX. Dla uzyskania optymalnych wyników zalecamy następujące maksymalne ilości napełnienia:

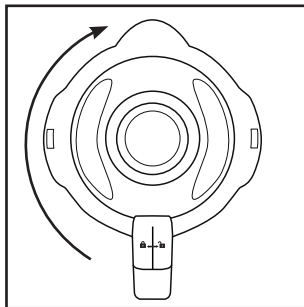
Produkt spożywczy	Maksymalna ilość napełnienia	Zalecany stopień	Zalecany czas obróbki
Płynny	1800 ml	1-3	60 sek.
Koktajle jogurtowe	1250 ml	2-5	90 sek.
Szejki mleczne / smoothies	1250 ml	2-5	60-90 sek.
Ciasto na naleśniki	1250 ml	3-5	90 sek.
Przecier dla niemowlaka	750 g	5	3 min
Majonez	2 jajka 250 ml oleju	3-5	90-120 sek.
Zupa jarzynowa	1500 ml	3-5	3 min
Kostki lodu	250 ml	P	12x



- 4) Wciśnij z przesunięciem pokrywkę ② ponownie na przystawkę miksującą ③. Zamknij pokrywkę ②, obracając ją w prawo w pozycję ④, aż się zatrzaśnie w słyszalny sposób (patrz rys. 2). Upewnij się, że dzióbek do wylewania przystawki miksującej ③ jest zamknięty. Silnik uruchomi się tylko wtedy, gdy pokrywka ② jest dokładnie założona.



Rys. 1



Rys. 2

- 5) Włóż przykrywkę otworu wlotowego ① w otwór przykrywki i obróć ją dokręcając w prawo.
- 6) Załóż napełnioną i zamkniętą przystawkę miksującą ③ na blok silnika ⑥. W tym celu użyj otworów na bloku silnika ⑥ i upewnij się, że strzałka ▼ na przystawce miksującej wskazuje na symbol ④. Obróć przystawkę miksującą ③ w prawo, w pozycję ④, aż się słyszalnie zatrzaśnie. Silnik uruchomi się tylko wtedy, gdy przystawka miksująca ③ zostanie dokładnie założona.

## Wybór stopnia prędkości

Gdy przystawka miksująca ③ jest napełniona i całkowicie zamknięta i znajduje się na bloku silnika ⑥, można włączyć urządzenie.

Ustaw przełącznik ⑤ na ...

### ■ Stopień 1 – 3

do płynnych i średniostarych produktów spożywczych, do mieszania, przecierania i ubijania

### ■ Stopień 3 – 5

do stałych produktów spożywczych lub do rozdrabniania

### ■ Stopień P (funkcja pracy impulsowej)

do krótkotrwałej, intensywnej pracy impulsowej, np. do kruszenia kostek lodu lub do czyszczenia. Przełącznik prędkości ⑤ nie blokuje się w tym położeniu, żeby nie powodować nadmiernego przeciążania silnika. Z tego powodu przełącznik prędkości ⑤ przytrzymaj chwilę w tym położeniu.

## WSKAZÓWKA

- ▶ W przystawce miksującej ③ mieści się maksymalnie 180 g kostek lodu. Urządzenie nie przerobi optymalnie większej ilości kostek lodu.

## Napełnianie podczas pracy

### OSTRZEŻENIE!


- ▶ By uzupełnić składniki podczas pracy, należy to wykonywać wyłącznie przez przewidzianą do tego przykrywkę otworu wlotowego **1**. Nigdy nie otwieraj pokrywki **2**.
- ▶ Nigdy nie wkładaj do przystawki miksującej **3** sztućców ani żadnych przyrządów do mieszania podczas pracy urządzenia. Występuje poważne niebezpieczeństwo odniesienia obrażeń gdy włożone przedmioty dotkną obracających się z dużą prędkością noży tnących **4**.

Uzupełnianie produktów podczas pracy urządzenia, ...

- 1) Wyciągnij przykrywkę otworu wlotowego **1** z pokrywki **2**.
- 2) Dodaj składniki.
- 3) Następnie wciśnij przykrywkę otworu wlotowego **1** ponownie w otwór w pokrywce.

## Zdejmowanie przystawki miksującej

Po zakończeniu obróbki napełnionych produktów spożywczych:

- 1) Ustawiaj zawsze najpierw przełącznik **5** w położeniu wyłączonym („0”) i następnie wyciągnij wtyk sieciowy z gniazda.
- 2) Odczekaj najpierw do pełnego zatrzymania silnika, zanim zdejmiesz przystawkę miksującą **3** z bloku silnika **6**. W tym celu obróć przystawkę miksującą **3** obracając ją w lewo, aż strzałka ▼ pod uchwytem przystawki miksującej **3** znajdzie się nad pozycją . Zdejmij przystawkę miksującą **3** prosto z bloku silnika **6**.

## Przydatne wskazówki

- Aby podczas przecierania stałych składników osiągnąć lepsze wyniki, należy dodawać je do przystawki miksującej **3** po kolei w małych porcjach, zamiast wkładania jednorazowo sporej ilości.
- Podczas obróbki składników stałych, należy pokroić je na drobniejsze kawałki (2 - 3 cm).
- Przy przecieraniu owoców lub warzyw należy dodać co najmniej 50 ml płynu.
- W pierwszej kolejności dodawaj do przystawki miksującej **3** gęstsze składniki, jak np. jogurt. Jeśli w czasie miksowania nie wszystkie składniki zostaną zebrane, zdejmij przystawkę miksującą **3** z bloku silnika **6**, zdejmij pokrywkę **2** i wymieszaj składniki np. łyżką. Załóż przystawkę miksującą **3** z zamkniętą pokrywką **2** ponownie na blok silnika **6** i kontynuuj miksowanie.

- Podczas miksowania składników płynnych miksowanie należy rozpocząć przede wszystkim z nieznaczną ilością płynu. Następnie należy dodawać coraz więcej płynu przez otwór w pokrywie.
- Przykładając rękę do górnej części zamkniętego miksera można skutecznie usztywnić urządzenie.
- Do mieszania produktów spożywczych o konsystencji stałej lub gęstych przydatne może być zastosowanie stopnia **P**, aby zapobiec zablokowaniu się noża tnącego ④.

## WSKAZÓWKA

- Nie używaj urządzenia do rozdrabniania soli ani do robienia cukru pudru z cukru rafinowanego lub cukru białego.

## Przepisy

### Shake bananowy

- 2 banany
- około 2 łyżek cukru  
(w zależności od stopnia dojrzałości bananów i własnych preferencji smakowych)
- ½ litra mleka
- 1 pryśnięcie soku z cytryny

Banany obieramy ze skórki i miksujemy na 2 stopniu prędkości. Stopniowo dodajemy mleko, następnie cukier i sok z cytryny. Całość miksujemy dotąd, aż powstanie jednorodny napój. Shake podajemy mocno zmrożony.

### Shake waniliowy

- ¼ litra mleka
- 250 g lodów waniliowych
- 125 g kostek lodu
- 1 ½ łyżeczki cukru

Kostki lodu kruszyć na stopniu **P**. Dodajemy pozostałe produkty do miksera. Miksujemy wszystko na stopniu 2, aż powstanie jednolity płyn.

## Shake Cappucino

- 65 ml zimnej kawy Espresso (lub bardzo mocnej zwykłej kawy)
- 65 ml mleka
- 15 g cukru
- 65 g lodów waniliowych
- 100 g kostek lodu

Kostki lodu kruszyć na stopniu **P**. Dodajemy kawę Espresso, mleko i cukier. Całość miksujemy na 2 stopniu, aż cukier się rozpuści. Na końcu dodajemy lody waniliowe i miksujemy przez chwilę na 1 stopniu.

## Koktajl tropikalny

- 125 ml soku ananasowego
- 60 ml soku z papai
- 50 ml soku pomarańczowego
- ½ mała puszka brzoskwiń z sokiem
- 125 g kostek lodu

Kostki lodu kruszyć na stopniu **P**. Wkładamy wszystkie składniki do miksera i całość mieszamy na stopniu 3.

## Shake z kremem nugatowo-orzechowym

- ½ litra mleka
- 200 g kremu nugatowo-orzechowego
- 1 gałka lodów waniliowych
- 50 ml śmietany

Wszystkie składniki mieszamy w mikserze na stopniu 3, aż do powstania jednorodnego napoju.

## Shake marchewkowy

- 300 ml soku jabłkowego
- 500 ml soku marchwiowego
- 4 łyżki oleju (z kielków pszenicznych lub rzepakowego)
- 4 łyżki soku z cytryny
- Imbir w proszku
- Pieprz

Sok jabłkowy, olej i sok z cytryny umieszczamy w mikserze i wszystko mieszamy na 2 stopniu. Następnie dolewamy soku marchwiowego i mieszamy dalej na 2 stopniu. Shake doprawiamy imbirem w proszku i pieprzem.

## Koktajl porzeczkowy

- 2 łyżeczki miodu
- 2 banany
- ¼ litra maślanki
- ¼ litra soku porzeczkowego (z czarnych porzeczek)

Wkładamy wszystkie składniki do miksera i całość mieszamy na 3 stopniu.

## Shake po hawajsku

- 4 banany
- ¼ litra soku ananasowego
- ½ litra mleka
- 2 łyżki stołowe miodu
- ¼ litra rumu

Banany obieramy ze skórki i miksujemy na 2 stopniu prędkości. Dodajemy pozostałe składniki i całość mieszamy na 1 stopniu.

## Owocowy koktajl ananasowo-truskawkowy

- 250 ml soku ananasowego
- 200 g truskawek
- 300 ml soku jabłkowego
- 4 kostki lodu

Truskawki myjemy i oddzielamy szypułki. Kostki lodu kruszyć na stopniu **P**. Miksujemy na 2 stopniu. Następnie dodajemy pozostałe składniki i całość miksujemy na 1 stopniu.

## Chłodnik andaluzyjski (Gazpacho)

- ½ ogórka
- 1 mięsisty pomidor
- 1 zielona papryka
- ½ cebula
- 1 ząbek czosnku
- ½ bułki pszennej
- ½ łyżeczki soli
- 1 łyżeczka czerwonego octu winnego
- 1 łyżka oliwy z oliwek

Warzywa kroimy na kawałki o wielkości 2 cm.

Do miksera wkładamy najpierw pomidory, a następnie ogórki. Warzywa miksujemy na 3 stopniu. Dodajemy pozostałe składniki i miksujemy/mieszamy całość na 3 stopniu, aż do uzyskania jednorodnej konsystencji zupy. Chłodnik podajemy z chlebem.

**WSKAZÓWKA**

- ▶ Przepisy bez gwarancji. Wszystkie składniki i dane o przygotowaniu są wartościami orientacyjnymi. Uzupełnij niniejsze przepisy własnymi dodatkami.


**WSKAZÓWKA**

- ▶ W przypadku nietolerancji laktozy zalecamy stosowanie mleka bezlaktozowego. Należy przy tym pamiętać, że mleko bezlaktozowe jest nieco słodsze.

## Czyszczenie

**⚠ NIEBEZPIECZEŃSTWO PORAŻENIA PRĄDEM ELEKTRYCZNYM!**

Przed przystąpieniem do czyszczenia miksera i jego elementów:

- ▶ Upewnić się, czy urządzenie jest wyłączone, a wtyczka sieciowa jest wyjęta z gniazdka.
-  Bloku silnika **6** nie wolno w żadnym wypadku zanurzać w wodzie ani nie narażać w żaden inny sposób na działanie wilgoci. Może stwarzać to niebezpieczeństwo śmiertelnego porażenia prądem elektrycznym i uszkodzenia urządzenia.
- ▶ Nigdy nie otwieraj obudowy urządzenia. Inaczej zachodzi niebezpieczeństwo wypadku lub śmiertelne niebezpieczeństwo porażenia prądem.

**⚠ OSTRZEŻENIE! NIEBEZPIECZEŃSTWO OBRAŻEŃ!**

- ▶ Nigdy nie sięgać do środka założonej przystawki miksującej **3**, w szczególności podczas pracy. Noże tnące **4** są bardzo ostre!

**UWAGA! SZKODY MATERIALNE!**

- ▶ Nigdy nie używaj rozpuszczalników ani środków szorujących do powierzchni z tworzywa sztucznego. Groziłoby to ich uszkodzeniem.

## Czyszczenie przystawki miksującej

- Przystawkę miksującą **3** czyść wyłącznie szczotką na długim drążku, by uniknąć dotykania noży tnących **4** rękoma.
- Umyj przykrywkę otworu wlotowego **1** i pokrywkę **2** w łagodnym roztworze wody z mydłem. Upewnij się, że gumowa uszczelka **5** jest prawidłowo osadzona, zanim ponownie użyjesz pokrywki **2**.

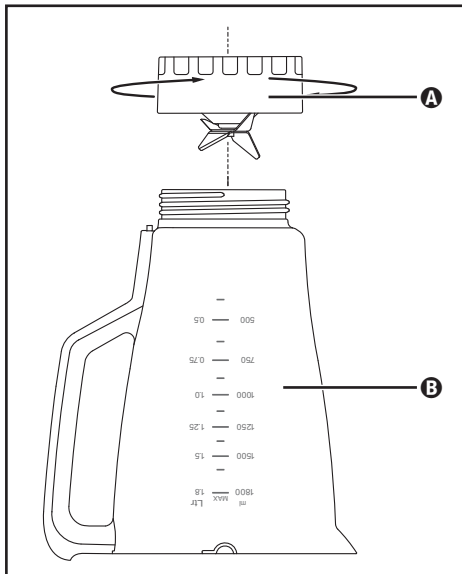
## WSKAZÓWKA



Pokrywkę **2**, przykrywkę otworu wlotowego **1** oraz przystawkę miksującą **3** z nożem tnącym **4** można również myć w zmywarce do naczyń.

Części plastikowe układaj w miarę możliwości w górnym koszu zmywarki i zwracaj uwagę, aby się nie zaklinowały.

- Jeżeli myjesz urządzenie bezpośrednio po jego użyciu, w większości przypadków dostateczne efekty higieniczne możesz uzyskać w następujący, alternatywny sposób:  
napełnij przystawkę miksującą **3** wodą w ilości 750 ml i dodaj kilka kropel łagodnego płynu do mycia naczyń. Zamknij pokrywkę **2** i załóż przystawkę miksującą **3** na blok silnika **6**. Podłącz wtyk sieciowy do gniazdka i włącz kilka razy tryb pracy impulsowej, wskutek czego noże tnące **4** będą obracać się w wodzie z maksymalną prędkością obrotową. Następnie wypłucz przystawkę miksującą **3** dużą ilością czystej wody, by usunąć resztki płynu do mycia naczyń.
- Aby łatwiej usuwać trudne do wyczyszczenia zabrudzenia, możesz zdemontować przystawkę **A** z nożami tnącymi **4** z pojemnika **B** przystawki miksującej **3**:



Rys. 3

- 1) Zdejmij przystawkę miksującą **3** z bloku silnika **6**. W celu zapewnienia lepszej stabilności zdemontuj pokrywkę **2** (patrz rys. 1).
- 2) Obróć urządzenie do góry nogami i odkręć przystawkę **A** w lewo, aby odłączyć ją od pojemnika **B** (patrz rys. 3).

## **⚠ OSTRZEŻENIE! NIEBEZPIECZEŃSTWO OBRAŻEŃ!**

► Ostrożnie obchodzić się z nożami tnącymi **4**. Są one bardzo ostre!

- 3) Umyj dokładnie przystawkę **A** i pojemnik **B** w łagodnym roztworze wody z mydłem lub w zmywarce do naczyń.
- 4) Przed ponownym montażem osusz dokładnie wszystkie elementy.
- 5) Załóż przystawkę **A** z nożami tnącymi **4** ponownie na pojemnik **B** przystawki miksującej **3** i dokręć go w prawo.

## **Czyszczenie bloku silnika**

- 1) Powierzchnie czyść zwilżoną szmatką. W razie potrzeby można na szmatkę dodać niewielką ilość delikatnego płynu do mycia naczyń. Zmyj następnie powierzchnię szmatką zwilżoną czystą wodą, aby usunąć ewentualne pozostałości płynu do mycia naczyń. Następnie osusz dokładnie wszystkie powierzchnie.
- 2) Przy każdym czyszczeniu sprawdź, czy resztki zanieczyszczeń nie blokują przełącznika stykowego w mocowaniu przystawki miksującej **5**. Gdy nie można usunąć kartką papieru ewentualnych zanieczyszczeń w narożnikach, zwrócić się do serwisu. Nigdy nie używaj twardych przedmiotów, ponieważ mogłyby one zniszczyć przełącznik stykowy.
- 3) Ewentualne zabrudzenia pod blokiem silnika **6** usuwaj wyłącznie suchą szmatką lub pędzelkiem. Uważaj, by przez otwory wentylacyjne do środka urządzenia nie przedostały się żadne przedmioty.

## **Po zakończeniu czyszczenia**

Przed złożeniem miksera do ponownego użytku dokładnie wysusz wszystkie elementy.

## **Przechowywanie**

- 1) Jeśli zamierzasz odstawić mikser na dłuższy okres czasu, dokładnie go wyczyść (patrz rozdział „Czyszczenie”).
- 2) Kabel zasilający nawiń w kierunku strzałki w schowku na kabel zasilający **7** znajdującym się na spodzie bloku silnika **6**.
- 3) Mikser trzymaj w chłodnym, suchym miejscu.



## Utylizacja



**W żadnym przypadku nie wyrzucaj urządzenia do zwykłych śmieci domowych. Ten produkt podlega dyrektywie europejskiej 2012/19/EU.**

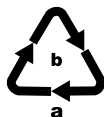
Zużyte urządzenie należy oddać do certyfikowanego zakładu utylizacji odpadów lub do komunalnego zakładu oczyszczania. Należy przestrzegać aktualnie obowiązujących przepisów. W razie pytań i wątpliwości odnośnie do zasad utylizacji należy zwrócić się do miejscowego zakładu utylizacji odpadów.



Informacji na temat możliwości utylizacji wyeksploatowanego produktu udziela urząd gminy lub miasta.



Produkt można poddać recyklingowi, podlega rozszerzonej odpowiedzialności producenta i jest zbierany w ramach systemu segregacji odpadów.



Opakowania należy utylizować w sposób przyjazny dla środowiska. Przestrzegać oznaczeń na różnych materiałach opakowaniowych i w razie potrzeby utylizuj je zgodnie z zasadami segregacji odpadów. Materiały opakowaniowe są oznaczone skrótami (a) i cyframi (b) w następujący sposób:  
1-7: tworzywa sztuczne,  
20-22: papier i tektura,  
80-98: kompozyty.



Opakowanie urządzenia jest wykonane z materiałów przyjaznych dla środowiska naturalnego, które można zutylizować w lokalnych punktach recyklingu.

## Gwarancja Kompernaß Handels GmbH

Szanowny Kliencie,

To urządzenie objęte jest 3-letnią gwarancją, licząc od daty zakupu. W przypadku wad tego produktu, masz gwarantowane ustawowo prawa w stosunku sprzedawcy. Te ustawowe prawa nie są ograniczone przez nasze opisane poniżej warunki gwarancji.

### Warunki gwarancji

Okres gwarancji rozpoczyna się od daty zakupu. Należy zachować paragon. Jest on wymagany jako dowód zakupu.

Jeżeli w ciągu trzech lat od daty zakupu produktu ujawni się w nim wada materiałowa lub produkcyjna, produkt zostanie wedle naszego uznania nieodpłatnie naprawiony, wymieniony na nowy lub zostanie zwróconą jego cena. Warunkiem spełnienia tego świadczenia gwarancyjnego jest dostarczenie w trakcie tego trzyletniego okresu uszkodzonego urządzenia wraz z dowodem zakupu (paragonem) oraz krótkim opisem wady i daty jej wystąpienia.

Jeżeli wada jest objęta naszą gwarancją, otrzymasz z powrotem naprawiony lub nowy produkt.

### Okres gwarancji i ustawowe roszczenia gwarancyjne

Wykonanie usługi gwarancyjnej nie przedłuża okresu gwarancji. Dotyczy to również wymienionych i naprawionych części. Wszelkie szkody i wady wykryte w chwili zakupu należy zgłosić bezpośrednio po rozpakowaniu urządzenia. Po upływie okresu gwarancji wszelkie naprawy są wykonywane odpłatnie.

### Zakres gwarancji

Urządzenie zostało starannie wyprodukowane i poddane przed wysyłką skrupulatnej kontroli jakości.

Gwarancja obejmuje wady materiałowe lub produkcyjne. Niniejsza gwarancja nie obejmuje części produktu, podlegających normalnemu zużyciu, ani uszkodzeń części łatwo łamliwych, np. przełączników, akumulatorów, lub części wykonanych ze szkła.

Niniejsza gwarancja traci swoją ważność, jeśli produkt został uszkodzony, nie używano go prawidłowo lub nie serwisowano należycie. W celu zapewnienia prawidłowego stosowania produktu należy ściśle przestrzegać wszystkich instrukcji wymienionych w instrukcjach obsługi. Należy bezwzględnie unikać zastosowania oraz postępowania, których odradza się w instrukcji obsługi lub przed którymi się w niej ostrzega.

Produkt przeznaczony jest wyłącznie do użytku domowego, a nie do zastosowań komercyjnych. Niewłaściwe użytkowanie urządzenia, używanie go w sposób niezgodny z jego przeznaczeniem, użycie siły lub ingerencja w urządzenie, dokonywana poza naszymi autoryzowanymi punktami serwisowymi, powodują utratę gwarancji.

## Realizacja zobowiązań gwarancyjnych

W celu zapewnienia szybkiego załatwienia sprawy, postępuj zgodnie z poniższymi wskazówkami:

- W przypadku wszelkich pytań przygotuj paragon fiskalny oraz numer artykułu (np. IAN 123456\_7890) jako dowód zakupu.
- Numer artykułu można znaleźć na tabliczce znamionowej na produkcie, wygrawerowany na urządzeniu, zapisany na stronie tytułowej instrukcji obsługi (w dolnym lewym rogu) lub na naklejce z tyłu bądź na spodzie urządzenia.
- W przypadku wystąpienia błędów działania lub innych wad, prosimy o kontakt z odpowiednim działem serwisu **telefonicznie** lub **przez e-mail**.
- Zarejestrowany jako wadliwy produkt możesz wtedy wraz z dołączonym dowodem zakupu (paragonem) oraz opisem i datą wystąpienia usterki wystać nieodpłatnie przekazany wcześniej adres serwisu.



Na stronie [www.lidl-service.com](http://www.lidl-service.com) możesz pobrać te i wiele innych instrukcji, filmów o produktach oraz oprogramowanie instalacyjne.

Za pomocą tego kodu QR możesz przejść bezpośrednio na stronę serwisu Lidl ([www.lidl-service.com](http://www.lidl-service.com)), gdzie możesz otworzyć instrukcję obsługi, wpisując numer artykułu (IAN) 360749\_2007.

## Serwis

**PL** Serwis Polska

Tel.: 22 397 4996

E-Mail: [kompernass@lidl.pl](mailto:kompernass@lidl.pl)

IAN 360749\_2007

## Importer

Pamiętaj, że poniższy adres nie jest adresem serwisu.  
Skontaktuj się najpierw z odpowiednim punktem serwisowym.

KOMPERNASS HANDELS GMBH

BURGSTRASSE 21

44867 BOCHUM

NIEMCY

[www.kompernass.com](http://www.kompernass.com)

## Obsah

<b>Úvod</b> .....	<b>114</b>
<b>Používanie primerané účelu</b> .....	<b>114</b>
<b>Rozsah dodávky</b> .....	<b>114</b>
<b>Opis prístroja</b> .....	<b>115</b>
<b>Technické údaje</b> .....	<b>115</b>
<b>Bezpečnostné pokyny</b> .....	<b>116</b>
<b>Výbalenie</b> .....	<b>118</b>
<b>Postavenie</b> .....	<b>118</b>
<b>Obsluha</b> .....	<b>119</b>
Naplnenie a montáž mixovacieho nadstavca .....	119
Výber stupňa rýchlosti .....	120
Napĺňanie počas prevádzky .....	121
Odobratie mixovacieho nadstavca .....	121
<b>Užitočné upozornenia</b> .....	<b>121</b>
<b>Recepty</b> .....	<b>122</b>
Banánový koktail .....	122
Vanilkový koktail .....	122
Cappucinový koktail .....	122
Koktail z tropického ovocia .....	123
Orieškovo nugátový koktail .....	123
Mrkvový koktail .....	123
Ríbezl'ový mix .....	123
Havajský koktail .....	124
Ovocný ananásovo-jahodový mix .....	124
Studená andalúzska polievka (gazpacho) .....	124
<b>Čistenie</b> .....	<b>125</b>
Čistenie mixovacieho nástavca .....	125
Čistenie bloku motora .....	127
Po čistení .....	127
<b>Uskladnenie</b> .....	<b>127</b>
<b>Zneškodnenie</b> .....	<b>128</b>
<b>Záruka spoločnosti Kompennass Handels GmbH</b> .....	<b>129</b>
Servis .....	130
Dovozca .....	130

## Úvod

Srdečne vám gratulujeme ku kúpe tohto nového prístroja. Rozhodli ste sa tým pre vysokokvalitný výrobok. Návod na používanie je súčasťou tohto výrobku. Obsahuje dôležité pokyny týkajúce sa bezpečnosti, používania a likvidácie zariadenia. Pred používaním tohto výrobku sa oboznámte so všetkými pokynmi na ovládanie a bezpečnostnými pokynmi. Výrobok používajte iba tak, ako je tu opísané a iba v tých oblastiach použitia, ktoré sú tu uvedené. Pri odovzdávaní výrobku tretej osobe s ním odovzdajte aj všetky podklady.

## Používanie primerané účelu

Tento prístroj je určený výlučne na ...

- zmiešanie, mixovanie, miešanie potravín a na drvenie ľadových kociek (tzv. „drobenie“),
- výlučne v domácnosti používané množstvá a len na súkromné používanie v domácnosti a v suchých priestoroch.

Tento prístroj nie je určený na ...

- rozomletie bylín, cibule, mäsa a tvrdých potravín, ako sú orechy, semenka, väčšie zrná alebo stonky,
- výroba orechového masla,
- spracovávanie materiálov, ktoré nie sú potravinami,
- používanie na priemyselné alebo komerčné účely,
- používanie vo vlhkom prostredí alebo vonku,
- spracovanie horúcich/variácií sa tekutín.

Používajte len príslušenstvo a náhradné diely, ktoré sú určené pre tento prístroj. Iné diely nemusia byť dostatočne vhodné alebo bezpečné!

## Rozsah dodávky



Po vybalení skontrolujte kompletnosť dodávky. Súčasťou dodávky je:

- blok motora, sieťový kábel a zástrčka
- mixovací nástavec
- kryt
- plniace veko
- návod na používanie

## Opis prístroja

- 1 plniace veko
- 2 kryt
- 3 mixážny nástavec
- 4 nôž
- 5 svietiaci prvok
- 6 spínač
- 7 blok motora
- 8 navíjač kábla
- 9 gumové tesnenie krytu

## Technické údaje

Sieťové napätie	220 – 240 V ~ (striedavý prúd), 50 – 60 Hz
Menovitý výkon	600 W
Kapacita	cca 2,4 litra
Max. množstvo naplnenia	1,8 litra
Trieda ochrany	II /  (dvojitá izolácia)
Krátkodobá prevádzka	3 minúty
	Všetky časti tohto prístroja, ktoré prichádzajú do kontaktu s potravinami, sú bezpečné pre potraviny.

Krátkodobá prevádzka udáva, ako dlho sa môže prevádzkovať prístroj bez toho, aby sa motor prehrial a došlo k jeho poškodeniu. Po uvedenej dobe krátkodobej prevádzky musí zostať prístroj vypnutý dovtedy, dokiaľ motor nevychladne na izbovú teplotu.

## Bezpečnostné pokyny

### **⚠ NEBEZPEČENSTVO ZÁSAHU ELEKTRICKÝM PRÚDOM**

- ▶ Uistite sa, že sa blok motora, sieťový kábel a sieťová zástrčka nikdy neponoria do vody ani do iných tekutín.
- ▶ Prístroj používajte výlučne v suchých priestoroch, nikdy ho nepoužívajte vonku alebo vo vlhkom prostredí.
- ▶ Dbajte na to, aby prívodný kábel počas prevádzky nikdy nebol mokrý ani vlhký. Umiestnite ho tak, aby sa nemohol nikde privrieť ani iným spôsobom poškodiť.
- ▶ Poškodený sieťový kábel alebo zástrčku nechajte ihneď vymeniť oprávneným odborníkom alebo v zákazníckom servise, aby ste sa vyhli ohrozeniu zdravia.
- ▶ Po použití zástrčku vždy vytiahnite zo zásuvky. Samotné vypnutie nie je postačujúce, pretože pokiaľ je zástrčka v zásuvke, v zariadení je ešte stále napätie.
- ▶ Pred každým použitím skontrolujte prístroj, či je v bezchybnom stave. Prístroj sa nesmie používať, ak sú na ňom viditeľné škody, zvlášť na bloku motora alebo mixovacím nastavci.
- ▶ Ihneď vytiahnite sieťovú zástrčku z elektrickej zásuvky, keď zistíte, že sa vytvára neobvyklý dym alebo zápach, alebo v prípade nesprávneho fungovania prístroja.

### **⚠ VÝSTRAHA! NEBEZPEČENSTVO PORANENIA!**

- ▶ Nikdy nesiahajte rukou do mixovacieho nastavca, hlavne nie počas prevádzky. Nože sú mimoriadne ostré!
- ▶ Neotvárajte kryt, keď je prístroj v prevádzke.
- ▶ Nikdy nedávajte do mixovacieho nastavca časti príboru ani predmety na miešanie, dokiaľ je prístroj v prevádzke. Ak sa tieto dotknú veľmi rýchlo sa otáčajúcich nožov, hrozí vážne nebezpečenstvo poranenia!

**⚠ VÝSTRAHA! NEBEZPEČENSTVO PORANENIA!**

- ▶ Nenechávajte prístroj v chode bez dozoru, aby ste mohli v prípade nebezpečenstva rýchlo zareagovať.
- ▶ Na deti treba dohliadať, aby sa zabezpečilo, že sa nebudú hrať s prístrojom.
- ▶ Nepoužívajte prístroj na iné účely, ako je popísané v tomto návode.
- ▶ Pri nesprávnom používaní prístroja hrozí riziko poranenia.
- ▶ Pokiaľ nie je prístroj pod dohľadom a pred zložením, rozbieraním alebo čistením ho vždy odpojte od siete.
- ▶ Tento prístroj nesmú používať deti.
- ▶ Prístroj a jeho prípojný kábel sa musí uchovávať mimo dosahu detí.
- ▶ Tento prístroj môžu používať osoby so zníženými fyzickými, senzorickými alebo mentálnymi schopnosťami, prípadne s nedostatočnými skúsenosťami alebo znalosťami, ak sú pod dozorom alebo boli dostatočne poučené o bezpečnom používaní prístroja a pochopili z toho vyplývajúce riziká.
- ▶ Deti sa s prístrojom nesmú hrať.
- ▶ Pri zaobchádzaní s prístrojom postupujte opatrne! Nože sú veľmi ostré!
- ▶ Pri vyprázdňovaní mixovacieho nástavca postupujte opatrne! Nože sú veľmi ostré!
- ▶ Pri čistení prístroja postupujte opatrne! Nože sú veľmi ostré!
- ▶ Skôr než začnete s výmenou príslušenstva alebo sa dotknete dielov, ktoré sa počas prevádzky pohybujú, prístroj vypnite a zástrčku vyťahnite z elektrickej zásuvky.



## **⚠ VÝSTRAHA! NEBEZPEČENSTVO PORANENIA!**

- ▶ Mixovací nástavec používajte len s dodaným blokom motora!
- ▶ Skôr než odoberte mixovací nástavec z bloku motora sa presvedčte, či je mixér vždy vypnutý!

## **POZOR! VECNÉ ŠKODY!**

- ▶ Nepoužívajte prístroj na miestach, kam dopadajú priame slnečné lúče alebo kde pôsobí teplo zo zariadení vyžarujúcich teplo.
- ▶ Nikdy nedávajte vriace tekutiny do mixovacieho nástavca! Najprv ich nechajte vychladnúť na teplotu tela.
- ▶ Nikdy nepoužívajte prístroj naprázdno, tj. bez surovín v mixovacom nástavci.

## **Vybalenie**

- Odstráňte z prístroja všetky časti obalu a ochranné fólie. Odložte si obal, aby ste mohli prístroj uskladniť chránený, alebo aby ste ho mohli poslať na prípadnú opravu.
- Pred používaním prístroja sa presvedčte, či nie je poškodený, či nemá poškodený sieťový kábel so zástrčkou a či nie sú poškodené aj všetky ostatné diely prístroja a jeho príslušenstvo.
- Pred prvým používaním mixéra starostlivo vyčistite všetky jeho diely (pozri „Čistenie“).

## **Postavenie**

Po vyčistení všetkých dielov tak, ako je opísané v časti „Čistenie“:



- Postavte prístroj tak, ...
  - aby sieťový kábel prechádzal cez priehlbínu na zadnej strane,
  - aby elektrická zástrčka bola stále dostupná, aby ste ju mohli v prípade nebezpečenstva rýchlo vytiahnuť zo zásuvky.
  - aby stál stabilne a bez šmýkania, aby sa prísavky pevne prichytili a aby sa prístroj pri vibráciách neprevrátil.
  - aby sieťový kábel nezasahoval do pracovného priestoru a aby sa prípadným nechceným potiahnutím za neho prístroj nemohol prevrátiť.

## Obsluha


### VÝSTRAHA!

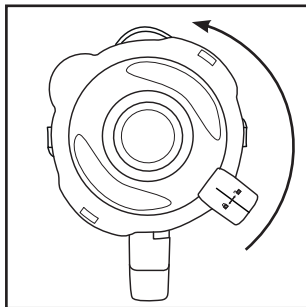
- ▶ Motor sa vypne, hneď ako sa mixovací nadstavec ③ odstráni z bloku motora ⑥ alebo sa otvorí kryt ②. Hrozí pritom, že sa môže prehliadnúť, že stroj je ešte stále zapnutý. Motor sa potom nečakane spustí, hneď ako sa namontuje mixovací nadstavec ③ alebo sa znova zatvorí kryt ②:  
Preto:
  - Zastrčte sieťovú zástrčku do zásuvky až potom, keď je mixovací nástavec ③ celkom naplnený a nasadený v zatvorenom stave.
  - Pred nasadením sa vždy ubezpečte, či je prístroj vypnutý alebo či je vytiahnutá sieťová zástrčka.
  - Najprv vypnite prístroj, vytiahnite sieťovú zástrčku a vyčkajte zastavenie motora, skôr než odoberte mixovací nadstavec ③ alebo otvoríte kryt ②.

## Naplnenie a montáž mixovacieho nadstavca

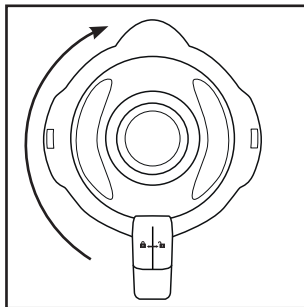
- 1) Otáčajte mixovací nadstavec ③ proti smeru hodinových ručičiek, až šípka ▼ pod držadlom mixovacieho nadstavca ④ bude nad polohou . Odoberte mixovací nadstavec ③ z bloku motora ⑥ rovno nahor.
- 2) Odstráňte kryt ② tak, že ho budete otáčať proti smeru hodinových ručičiek v smere polohy  (pozri obr. 1) dovtedy, až ho budete môcť stiahnuť smerom nahor.
- 3) Mixovací nadstavec ③ naplňte minimálne po najspodnejšiu čiarku na stupnici ③, maximálne však po označenie MAX. Pre optimálne výsledky odporúčame nasledujúce plniace množstvá:

Potravina	Maximálne plniace množstvo	Odporúčaná stupeň	Odporúčaná čas spracovania
Tekutiny	1800 ml	1 – 3	60 s
Miešané jogurtové nápoje	1250 ml	2 – 5	90 s
Mliečne koktaily a smoothies	1250 ml	2 – 5	60 – 90 s
Cesto na lievance	1250 ml	3 – 5	90 s
Detská kaša	750 g	5	3 min.
Majonéza	2 vajcia 250 ml oleja	3 – 5	90 – 120 s
Zeleninová polievka	1500 ml	3 – 5	3 min.
Kocky ľadu	250 ml	P	12x



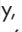
- 4) Prítláčením nasadíte späť kryt **2** obrátene na mixovací nadstavec **3**. Zatvorte kryt **2** tak, že ho budete otáčať v smere hodinových ručičiek do polohy  dovedty, až počuteľne zapadne (pozri obr. 2). Dbajte na to, aby bol zatvorený vylievací výstupok na mixovacom nadstavci **3**. Motor sa môže spustiť len vtedy, keď je kryt **2** nasadený tak, aby lícoval.



Obr. 1



Obr. 2

- 5) Zatláčajte plniace veko **1** až na doraz do otvoru krytu.
- 6) Nasadíte naplnený a zatvorený mixovací nadstavec **3** na blok motora **6**. K tomu použite vyhlbeniny na bloku motora **6** a dbajte pritom na to, aby šípka  na mixovacom nadstavci ukazovala na symbol . Otáčajte mixovací nadstavec **3** v smere hodinových ručičiek do polohy  dovedty, kým počuteľne zapadne. Motor sa môže spustiť len vtedy, keď je mixovací nadstavec **3** nasadený tak, aby lícoval.

## Výber stupňa rýchlosti

Keď je mixovací nadstavec **3** naplnený a kompletne uzavretý stojí na bloku motora **6**, môžete prístroj zapnúť.

Nastavte spínač **5** na...

- **stupeň 1-3**  
pre tekuté alebo stredne tuhé potraviny, na miešanie, pasírovanie a šľahanie
- **stupeň 3-5**  
pre tuhšie potraviny alebo na drvenie
- **stupeň P (pulzná funkcia)**  
na krátku a silnú impulznú prevádzku, napr. na drvenie kociek ľadu alebo na čistenie. Spínač **5** v tejto polohe nezaskočí, aby nedošlo k preťaženiu motora. Preto podržte spínač **5** v tejto polohe len krátko.

### UPOZORNENIE

- Do mixovacieho nástavca **3** dajte maximálne 180 g ľadových kociek. Ináč prístroj optimálne nerozdrví ľadové kocky.

## Napĺňanie počas prevádzky

### VÝSTRAHA!


- ▶ Ak chcete za chodu motora niečo doplniť, môžete otvoriť výlučne len na tento účel určené plniace veko **1**. V žiadnom prípade neotvárajte kryt **2**.
- ▶ Nikdy nedávajte do mixovacieho nástavca **3** časti príboru ani predmety na miešanie, dokiaľ je prístroj v prevádzke. Ak sa dotknú veľmi rýchlo sa otáčajúcich nožov **4**, hrozí vážne nebezpečenstvo poranenia!

Ak chcete niečo doplniť za chodu motora, ...

- 1) Vytiahnite plniace veko **1** z krytu **2**.
- 2) Naplňte prísady.
- 3) Následne zatlačte plniace veko **1** znova do otvoru krytu.

## Odobratie mixovacieho nastavca

Po dokončení spracovania naplnených potravín:

- 1) Spínač **5** vždy prepnite do polohy VYP („0“) a vytiahnite sieťovú zástrčku.
- 2) Vyčkajte najskôr zastavenie motora, skôr než vytiahnete mixovací nastavec **3** z bloku motora **6**. K tomu otáčajte mixovací nastavec **3** proti smeru hodinových ručičiek, kým šípka ▼ pod držadlom mixovacieho nastavca nebude nad polohou . Odoberte mixovací nastavec **3** z bloku motora **6** rovno nahor.

## Užitočné upozornenia

- Aby ste pri mixovaní pevných prísad dosiahli tie najlepšie výsledky, pridávajte do mixovacieho nastavca postupne viacej malých porcií namiesto toho, aby ste do mixovacieho nastavca **3** dali veľké množstvo prísad.
- Keď spracovávate pevné prísady, nakrájajte ich na malé kúsky (2 – 3 cm).
- Pri mixovaní ovocia alebo zeleniny pridajte aspoň 50 ml tekutiny.
- Do mixovacieho nastavca **3** naplňte najprv kašovitějšíe prísady, ako napr. jogurt. Ak by sa počas mixovania nezachytia všetky prísady, odoberte mixovací nastavec **3** z bloku motora **6**, odstráňte kryt **2** a prísady premiešajte napr. lyžicou. Nasadte mixovací nastavec **3** s uzavretým krytom **2** znova na blok motora **6** a pokračujte v miešaní.
- Pri mixovaní tekutých prísad začnite najskôr s menším množstvom tekutiny. Cez otvor v kryte postupne prilievajte viacej a viacej tekutiny.
- Ak za chodu motora dáte ruku hore na zatvorený mixér, môžete tým prístroj dobre stabilizovať.
- Na miešanie pevných alebo veľmi hustých potravín môže byť užitočné použiť stupeň **P**, aby sa predišlo zaseknutiu noža **4**.

## UPOZORNENIE

- ▶ Nepoužívajte prístroj na zmenšenie zrnitosti soli, alebo rôznych druhov cukru, napríklad na získanie práškového cukru.

## Recepty

### Banánový koktail

- 2 banány
- asi 2 polievkové lyžice cukru (podľa zrelosti banánov a osobnej chuti)
- ½ l mlieka
- 1 strek citrónovej šťavy

Ošúpajte banány a mixujte ich na stupni 2. Postupne pridávajte mlieko, potom cukor nakoniec citrónovú šťavu. Všetko mixujte tak dlho, dokiaľ nevznikne rovnomerná tekutina. Koktail servírujte vychladený.

### Vanilkový koktail

- ¼ l mlieka
- 250 g vanilkovej zmrzliny
- 125 g ľadových kociek
- 1 ½ čajovej lyžičky cukru

Kocky ľadu rozdrvte na stupni **P**. Dajte zvyšné suroviny do mixéra. Na stupni 2 mixujte tak dlho, dokiaľ nevznikne homogénna tekutina.

### Cappucinový koktail

- 65 ml chladnej kávy espresso (alebo veľmi silnej kávy)
- 65 ml mlieka
- 15 g cukru
- 65 g vanilkovej zmrzliny
- 100 g ľadových kociek

Kocky ľadu rozdrvte na stupni **P**. Nalite na ne kávu espresso, mlieko a cukor. Všetko mixujte na stupni 2, dokiaľ sa cukor nerozpustí. Na koniec pridajte vanilkovú zmrzlinu a všetko krátko mixujte na stupni 1.

## Koktail z tropického ovocia

- 125 ml ananásovej šťavy
- 60 ml papájovej šťavy
- 50 ml pomarančovej šťavy
- ½ malá konzerva broskýň so šťavou
- 125 g ľadových kociek

Kocky ľadu rozdrvte na stupni **P**. Dajte do mixéra všetky suroviny a všetko mixujte na stupni 3.

## Orieškovo nugátový koktail

- ½ l mlieka
- 200 g orieškovo nugátového krému
- 1 porcia vanilkovej zmrzliny
- 50 ml smotany

Zmiešajte všetky suroviny v mixéri na stupni 3, dokiaľ je všetko rovnomerne rozmixované.

## Mrkvový koktail

- 300 ml jablkovej šťavy
- 500 ml mrkvovej šťavy
- 4 polievkové lyžice oleja (olej z pšeničných klíčkov alebo repkový olej)
- 4 polievkové lyžice citrónovej šťavy
- zázvorový prášok
- korenie

Dajte do mixéra jablkovú šťavu, olej a citrónovú šťavu, potom všetko mixujte na stupni 2. Potom pridajte mrkvovú šťavu a všetko mixujte na stupni 2.

Na koniec dochuťte mrkvový koktail zázvorovým práškom a korením.

## Ribezľový mix

- 2 čajové lyžičky medu
- 2 banány
- ¼ l cmaru
- ¼ l šťavy z čiernych ríbezlí

Dajte do mixéra všetky suroviny a všetko mixujte na stupni 3.

## Havajský koktail

- 4 banány
- ¼ l ananásovej šťavy
- ½ l mlieka
- 2 PL medu
- ¼ l rumu

Ošúpajte banány a mixujte ich na stupni 2.

Potom dajte do mixéra všetky ďalšie suroviny a všetko mixujte na stupni 1.

## Ovocný ananásovo-jahodový mix

- 250 ml ananásovej šťavy
- 200 g jahôd
- 300 ml jablkovej šťavy
- 4 kocky ľadu

Umyte jahody a odstráňte z nich stopky. Kocky ľadu rozdrvte na stupni P.

Mixujte ich na stupni 2. Potom k nim pridajte zvyšné suroviny a všetko mixujte na stupni 1.

## Studená andalúzska polievka (gazpacho)

- ½ uhorky
- 1 veľká paradajka
- 1 zelená paprika
- ½ cibule
- 1 strúčik cesnaku
- ½ bielej žemle
- ½ čajovej lyžičky soli
- 1 čajová lyžička octu z červeného vína
- 1 polievková lyžica olivového oleja

Nakrájajte zeleninu na asi 2 cm veľké kúsky. Najprv dajte do mixéra kúsky paradajky a potom uhorky. Vymixujte ich na stupni 3. Pridajte k nim zvyšné suroviny a všetko mixujte na stupni 3, dokiaľ nevznikne rovnomerná zmes polievky. Polievku servírujte s chlebom.

### UPOZORNENIE

- ▶ Recepty bez záruky. Všetky informácie o surovinách a príprave sú orientačné. Doplňte si tieto recepty o vaše vlastné, už odskúšané.


### UPOZORNENIE

- ▶ Ak niekto neznáša laktózu, odporúčame použiť bezlaktózové mlieko. Majte však pritom na pamäti, že bezlaktózové mlieko je o niečo sladšie než obyčajné.

## Čistenie

### **⚠ NEBEZPEČENSTVO ZÁSAHU ELEKTRICKÝM PRÚDOM!**

Pred čistením mixéra a jeho jednotlivých dielov:

- ▶ Zaisťte, aby bol prístroj vypnutý a sieťová zástrčka vytažená zo siete.
-  V žiadnom prípade sa nesmie blok motora **6** ponárať do vody ani do iných tekutín. Pritom hrozí smrteľné nebezpečenstvo v dôsledku zásahu elektrickým prúdom a prístroj sa môže poškodiť.
- ▶ Nikdy neotvárajte skriňu prístroja. V opačnom prípade existuje nebezpečenstvo úrazu elektrickým prúdom!

### **⚠ VÝSTRAHA! NEBEZPEČENSTVO PORANENIA!**

- ▶ Nikdy nesahajte do mixovacieho nastavca **3**, najmä nie počas prevádzky. Nože **4** sú mimoriadne ostré!

### **POZOR! VECNÉ ŠKODY!**

- ▶ Na plochy z umelej hmoty nepoužívajte žiadne rozpúšťadlá ani čistiaci piesok, pretože inak by ste ich mohli poškodiť.

## Čistenie mixovacieho nastavca

- Mixovací nastavec **3** čistíte len kefou na umývanie s dlhou rúčkou, aby ste sa nemohli poraniť o nože **4**.
- Vyčistíte plniace veko **1** a kryt **2** v jemnom mydlovom roztoku. Dávajte pozor na to, aby gumové tesnenie **3** sedelo správne, skôr ako sa kryt **2** znova použije.

### **UPOZORNENIE**



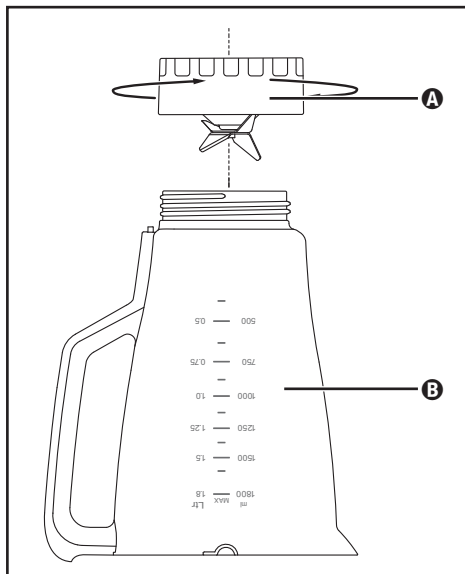
Kryt **2**, plniace veko **1** a mixážny nastavec **3** s nožom **4** môžete umývať tiež v umývačke riadu.

Diely vložte podľa možnosti do horného košíka umývačky riadu a dbajte na to, aby sa nezasekli.

- Keď prístroj čistíte hneď po použití, vo väčšine prípadov ho dostatočne hygienicky vyčistíte takto:  
Nalejte do mixovacieho nastavca **3** 750 ml vody a pridajte niekoľko kvapiek jemného umývacieho prostriedku na riad. Zatvorte kryt **2** a nasadíte mixovací nastavec **3** na blok motora **6**. Zastrčte sieťovú zástrčku do zásuvky a viackrát aktivujte pulznú funkciu tak, aby sa nôž **4** otáčal vo vode maximálnymi otáčkami. Mixovací nastavec **3** potom opláchnite veľkým množstvom čistej vody, aby sa odstránili všetky zvyšky umývacieho prostriedku na riad.



- Aby bolo možné lepšie odstrániť zatvrdnuté nečistoty, môžete odpojiť nastavec **A** s nožmi **4** z nádoby **B** mixážneho nastavca **3**:



Obr. 3

- 1) Odoberte mixážny nastavec **3** z bloku motora **6**. Pre lepšiu stabilitu odoberte kryt **2** (pozri obr. 1).
- 2) Postavte prístroj hore dnom a otočte nastavec **A** proti smeru hodinových ručičiek tak, aby sa dala uvoľniť nádoba **B** (pozri obr. 3).

### **⚠ VÝSTRAHA! NEBEZPEČENSTVO PORANENIA!**

► S nožmi **4** manipulujte opatrne. Sú veľmi ostré!

- 3) Nastavec **A** a nádobu **B** dôkladne umyte v jemnom mydlovom roztoku alebo v umývačke riadu.
- 4) Všetky diely dôkladne osušte skôr, než ich opäť zmontujete dokopy.
- 5) Nastavec **A** s nožmi **4** nasadíte znova na nádobu **B** mixážneho nastavca **3** a dotiahnite ho v smere hodinových ručičiek.

## Čistenie bloku motora

- 1) Povrchy vyčistíte vlhkou handričkou. Podľa potreby dajte na handričku jemný prostriedok na umývanie riadu. Vytrite vlhkou handričkou namočenou iba v čistej vode, aby ste odstránili prípadné zvyšky prostriedku na umývanie riadu. Povrchy potom dobre vysušte.
- 2) Pri každom čistení kontrolujte, či nie je kontaktný spínač vo vyhlbenine mixovacieho nástavca **5** zanesený zvyškami nečistôt. Ak nemôžete prípadné prekážky uvoľniť rohom listu papiera, obráťte sa na zákaznícky servis. V žiadnom prípade nepoužite tvrdý predmet, lebo by sa tým mohol poškodiť kontaktný spínač.
- 3) Prípadné nečistoty na spodnej strane bloku motora **6** odstráňte výlučne suchou handrou alebo štetcom na prach. Dajte pozor na to, aby sa nič nedostalo do prístroja cez vetracie otvory.

## Po čistení

Nechajte všetky diely znova dobre vyschnúť, než mixér poskladáte a budete ho opäť používať.

## Uskladnenie

- 1) Ak nebudete mixér po dlhšiu dobu používať, tak ho predtým poriadne vyčistíte (pozri kapitola „Čistenie“).
- 2) Sieťový kábel oviňte v smere šípky okolo navíjača kábla **7** na spodnej strane bloku motora **6**.
- 3) Uskladnite mixér na suchom a chladnom mieste.

## Zneškodnenie



**Prístroj v žiadnom prípade nevyhadzujte do bežného komunálneho odpadu. Na tento výrobok sa vzťahuje európska smernica č. 2012/19/EU.**

Prístroj zlikvidujte v autorizovanej prevádzke na zneškodňovanie odpadu alebo v miestnom zbernom dvore na zneškodňovanie odpadov. Dodržiavajte pritom aktuálne platné predpisy. V prípade pochybností kontaktujte miestny zberný dvor.



Informácie o možnostiach likvidácie vysluženého výrobku získate od svojej obecnej alebo mestskej samosprávy.



Produkt je recyklovateľný, podlieha rozšírenej zodpovednosti výrobcu a zbiera sa oddelene.



Obal zlikvidujte ekologicky.

Zohľadnite označenie na rozličných obalových materiáloch a tieto prípadne zvlášť vytriedte. Obalové materiály sú označené skratkami (a) a číslicami (b) s nasledujúcim významom:

1–7: Plasty,  
20–22: Papier a lepenka,  
80–98: Kompozitné materiály.



Obal sa skladá z ekologických materiálov, ktoré môžete zlikvidovať v miestnych zberných surovinách.

## Záruka spoločnosti Kompernass Handels GmbH

Vážená zákazníčka, vážený zákazník,

na tento prístroj máte záruku 3 roky od dátumu zakúpenia. V prípade nedostatkov tohto výrobku máte práva vyplývajúce zo zákona voči predajcovi tohto výrobku. Tieto Vaše práva vyplývajúce zo zákona nie sú obmedzené našou zárukou, uvedenou nižšie.

### Záručné podmienky

Záručná doba začína plynúť dátumom zakúpenia. Prosím, uschovajte si pokladničný blok. Tento bude potrebný ako dôkaz o zakúpení.

Ak v priebehu troch rokov od dátumu zakúpenia tohto výrobku dôjde k chybe materiálu alebo výrobné chybe, výrobok vám – podľa nášho uváženia – bezplatne opravíme, vymeníme alebo uhradíme kúpnu cenu. Podmienkou tohto záručného plnenia je, že počas trojročnej lehoty sa poškodený prístroj a doklad o zakúpení (pokladničný blok) predloží so stručným opisom, v čom spočíva nedostatok prístroja a kedy sa vyskytol.

Ak je chyba pokrytá našou zárukou, zašleme Vám späť opravený alebo nový výrobok. Opravou alebo výmenou výrobku nezačína plynúť žiadna nová záručná doba.

### Záručná doba a zákonné nároky na odstránenie chýb

Záručná doba sa záručným plnením nepredlži. To platí aj pre vymenené a opravené diely. Poškodenia a chyby zistené prípadne už pri kúpe, sa musia hlásiť okamžite po vybalení. Po uplynutí záručnej doby podliehajú prípadné opravy poplatku.

### Rozsah záruky

Prístroj bol starostlivo vyrobený v súlade s prísnyimi smernicami kvality a pred dodaním bol svedomito preskúšaný.

Záručné plnenie sa vzťahuje na chyby materiálu alebo výrobné chyby. Táto záruka sa nevzťahuje na časti výrobku, ktoré sú vystavené bežnému opotrebovaniu a preto ich možno pokladať za rýchlo opotrebitelné diely, ani na poškodenia krehkých dielov, ako sú napríklad spínače, akumulátory alebo diely vyrobené zo skla.

Táto záruka zaniká v prípade poškodenia výrobku neodborným používaním alebo neodbornou údržbou. Na správne používanie výrobku sa musia presne dodržiavať všetky pokyny, uvedené v návode na obsluhu. Bezpodmienečne sa musí zabrániť použitiu alebo úkonom, ktoré sa v návode na obsluhu neodporúčajú alebo pred ktorými sa varuje.

Výrobok je určený len na súkromné použitie a nie na priemyselné používanie. Záruka zaniká pri nesprávnom a neodbornom zaobchádzaní, pri použití násilia a pri zásahoch, ktoré neboli vykonané našim autorizovaným servisom.

## Vybavenie v prípade záruky

Na zaručenie rýchleho vybavenia Vašej žiadosti postupujte podľa nasledujúcich pokynov:

- Na všetky otázky majte pripravený pokladničný doklad a číslo výrobku (napr. IAN 123456\_7890) ako doklad o nákupe.
- Číslo výrobku nájdete na typovom štítku na výrobku, na gravúre na výrobku, na titulnej stránke návodu na obsluhu (dole vľavo) alebo ako nálepku na zadnej alebo spodnej strane výrobku.
- Ak dôjde k funkčným poruchám alebo iným nedostatkom, kontaktujte najprv nižšie uvedené servisné oddelenie **telefonicky** alebo **e-mailom**.
- Výrobok, zaevidovaný ako poruchový, môžete potom spolu s dokladom o nákupe (pokladničný blok) a uvedením popisu chyby a dátumu, kedy k nej došlo, bezplatne odoslať na adresu servisného strediska, ktorá Vám bude oznámená.



Na webovej stránke [www.lidl-service.com](http://www.lidl-service.com) si môžete stiahnuť tieto a mnoho ďalších príručiek, videá o výrobkoch a inštalačný softvér.

Pomocou tohto QR-kódu sa dostanete priamo na stránku servisu Lidl ([www.lidl-service.com](http://www.lidl-service.com)) a pomocou zadania čísla výrobku (IAN) 360749\_2007 otvoríte váš návod na obsluhu.

## Servis



**Servis Slovensko**

Tel. 0850 232001

E-Mail: [kompernass@lidl.sk](mailto:kompernass@lidl.sk)

IAN 360749\_2007

## Dovozca

Majte na pamäti, že nižšie uvedená adresa nie je adresou servisného strediska. Najprv kontaktujte uvedené servisné stredisko.

KOMPERNASS HANDELS GMBH

BURGSTRASSE 21

44867 BOCHUM

NEMECKO

[www.kompernass.com](http://www.kompernass.com)

# Índice

<b>Introducción</b> .....	<b>132</b>
<b>Uso previsto</b> .....	<b>132</b>
<b>Volumen de suministro</b> .....	<b>132</b>
<b>Descripción del aparato</b> .....	<b>133</b>
<b>Características técnicas</b> .....	<b>133</b>
<b>Indicaciones de seguridad</b> .....	<b>134</b>
<b>Desembalaje</b> .....	<b>136</b>
<b>Instalación</b> .....	<b>136</b>
<b>Manejo</b> .....	<b>137</b>
Montaje y llenado del vaso .....	137
Selección del nivel de velocidad .....	138
Llenado durante el funcionamiento .....	139
Desmontaje del vaso .....	139
<b>Indicaciones útiles</b> .....	<b>139</b>
<b>Recetas</b> .....	<b>140</b>
Batido de plátano .....	140
Batido de vainilla .....	140
Batido de capuchino .....	140
Zumo tropical .....	141
Batido de crema de cacao y avellanas .....	141
Batido de zanahoria .....	141
Batido de grosella .....	141
Batido hawaiano .....	142
Zumo de frutas con piña y fresas .....	142
Gazpacho andaluz .....	142
<b>Limpieza</b> .....	<b>143</b>
Limpieza del vaso .....	143
Limpieza del bloque motor .....	145
Después de la limpieza .....	145
<b>Almacenamiento</b> .....	<b>145</b>
<b>Desecho</b> .....	<b>146</b>
<b>Garantía de Kompernass Handels GmbH</b> .....	<b>147</b>
Asistencia técnica .....	148
Importador .....	148

## Introducción

Felicidades por la compra de su aparato nuevo. Ha adquirido un producto de alta calidad. Las instrucciones de uso forman parte del producto y contienen indicaciones importantes acerca de la seguridad, del uso y del desecho de este aparato. Antes de usar el producto, familiarícese con todas las indicaciones de manejo y de seguridad. Utilice el producto únicamente como se describe y para los ámbitos de aplicación indicados. Entregue todos los documentos cuando transfiera el producto a terceros.

## Uso previsto

Este aparato está previsto exclusivamente para lo siguiente:

- La mezcla, el triturado y el batido de alimentos, así como el picado de cubitos de hielo.
- El procesamiento de las cantidades propias de un entorno doméstico y su uso exclusivo en las estancias secas de viviendas privadas.

Este aparato no está previsto para lo siguiente:

- El picado de hierbas, cebollas y carne y el triturado de alimentos duros, como, p. ej., frutos secos, huesos de frutas, granos de tamaño grande o tallos/pedúnculos de frutas.
- La preparación de mantequillas de frutos secos.
- El procesamiento de materiales que no sean alimentos.
- Su uso para fines comerciales o industriales.
- Su uso en un entorno húmedo o a la intemperie.
- El procesamiento de líquidos calientes/en ebullición.

Utilice exclusivamente los accesorios y recambios previstos para este aparato. Es posible que otros accesorios no sean lo suficientemente aptos o seguros.

## Volumen de suministro


Compruebe la integridad del volumen de suministro después de desembalar el producto. Componentes incluidos en el volumen de suministro:

- Bloque motor con cable de red y enchufe
- Vaso
- Tapa
- Accesorio medidor
- Instrucciones de uso

## Descripción del aparato

- ❶ Accesorio medidor
- ❷ Tapa
- ❸ Vaso
- ❹ Cuchillas
- ❺ Interruptor
- ❻ Bloque motor
- ❼ Enrollacables
- ❽ Escala
- ❾ Junta de goma

## Características técnicas

Tensión nominal	220-240 V ~ (corriente alterna), 50-60 Hz
Potencia nominal	600 W
Capacidad	Aprox. 2,4 litros
Máx. cantidad de llenado	1,8 litros
Clase de aislamiento	II/□ (aislamiento doble)
Duración del funcionamiento corto	3 minutos
	Todas las piezas de este aparato que entran en contacto con alimentos son aptas para su uso con alimentos.

La duración del funcionamiento corto indica durante cuánto tiempo puede funcionar un aparato sin que el motor se sobrecaliente ni se dañe. Una vez transcurrida la duración del funcionamiento corto indicada, deberá apagarse el aparato hasta que el motor se haya enfriado hasta alcanzar la temperatura ambiente.



## Indicaciones de seguridad

### ¡PELIGRO DE DESCARGA ELÉCTRICA!

- ▶ Asegúrese de que el bloque motor, el cable de red o el enchufe no se sumerjan nunca en agua ni en cualquier otro líquido.
- ▶ Utilice el aparato exclusivamente en lugares secos y cerrados, nunca a la intemperie ni en ambientes húmedos.
- ▶ Procure que el cable de red no se moje ni se humedezca durante el funcionamiento. Tienda el cable de modo que no pueda quedar aplastado ni dañarse.
- ▶ Si el enchufe o el cable de red están dañados, encomiende su sustitución al personal técnico autorizado o al servicio de asistencia técnica para evitar riesgos.
- ▶ Después de usar el aparato, desconecte siempre el enchufe de la red eléctrica. No es suficiente con apagarlo, ya que mientras el enchufe esté conectado a la red eléctrica, el aparato seguirá estando bajo tensión.
- ▶ Antes de cada uso, compruebe que el aparato se encuentre en perfecto estado. No debe seguir utilizándose el aparato si se aprecian daños, especialmente en el bloque motor o en el vaso.
- ▶ Desconecte inmediatamente el enchufe de la toma eléctrica si percibe un ruido o un olor inusual o si se produce un error de funcionamiento.

### ¡ADVERTENCIA! ¡PELIGRO DE LESIONES!

- ▶ No toque nunca la parte interior del vaso, especialmente durante el funcionamiento. ¡Las cuchillas están muy afiladas!
- ▶ No abra la tapa cuando el aparato esté en funcionamiento.
- ▶ Para poder reaccionar rápidamente en caso de peligro, no deje el aparato en funcionamiento sin vigilancia.

**⚠ ¡ADVERTENCIA! ¡PELIGRO DE LESIONES!**

- ▶ No introduzca nunca cubiertos ni objetos en el vaso mientras el aparato esté en funcionamiento. ¡Si entran en contacto con las cuchillas mientras giran a alta velocidad, existe un grave peligro de lesiones!
- ▶ Vigile a los niños para asegurarse de que no jueguen con el aparato.
- ▶ No utilice nunca el aparato para fines distintos de los aquí descritos.
- ▶ El uso incorrecto del aparato puede provocar lesiones.
- ▶ Desconecte el aparato de la red eléctrica siempre que no esté bajo vigilancia y antes de su montaje, desmontaje y limpieza.
- ▶ Los niños no deben utilizar el aparato.
- ▶ El aparato y su cable de conexión deben mantenerse fuera del alcance de los niños.
- ▶ Este aparato puede ser utilizado por personas cuyas facultades físicas, sensoriales o mentales sean reducidas o carezcan de los conocimientos y de la experiencia necesaria, siempre que sean vigiladas o hayan sido instruidas correctamente sobre el uso seguro del aparato y hayan comprendido los peligros que entraña.
- ▶ Los niños no deben jugar con el aparato.
- ▶ Maneje el aparato con cuidado. ¡Las cuchillas del aparato están muy afiladas!
- ▶ Proceda con cuidado al vaciar el vaso. ¡Las cuchillas del aparato están muy afiladas!
- ▶ Tenga cuidado al limpiar el aparato. ¡Las cuchillas del aparato están muy afiladas!
- ▶ Apague el aparato y desconecte el enchufe de la toma eléctrica antes de cambiar los accesorios o tocar las piezas móviles.

## **⚠ ¡ADVERTENCIA! ¡PELIGRO DE LESIONES!**

- ▶ Asegúrese siempre de que la batidora esté desconectada antes de desmontar el vaso del bloque motor.
- ▶ Utilice el aparato exclusivamente con el bloque motor suministrado.

## **¡ATENCIÓN! ¡DAÑOS MATERIALES!**

- ▶ No utilice el aparato en una zona expuesta a la radiación solar directa ni cerca de aparatos generadores de calor.
- ▶ No introduzca nunca líquidos en ebullición ni alimentos muy calientes en el vaso. Primero deje que se enfríen hasta alcanzar una temperatura templada.
- ▶ No ponga nunca en marcha el aparato cuando esté vacío; es decir, sin ingredientes en el vaso.

## **Desembalaje**

- Retire todo el material de embalaje o las láminas protectoras del aparato. Conserve el embalaje para poder guardar el aparato de forma que esté protegido o para enviarlo; p. ej., si necesita reparación.
- Antes de utilizar el aparato, asegúrese de que el aparato, el cable de red con enchufe y todos los accesorios y componentes del aparato estén en perfecto estado.
- Limpie cuidadosamente todos los componentes antes de utilizar la batidora de vaso por primera vez (consulte el capítulo "Limpieza").

## **Instalación**

Cuando haya limpiado todos los componentes como se describe en el capítulo "Limpieza", proceda de la siguiente manera:



- Coloque el aparato de la siguiente manera:
  - El cable de red debe introducirse en el alojamiento de la parte posterior del aparato.
  - El enchufe debe estar siempre accesible para poder desconectarlo rápidamente de la toma eléctrica en caso de peligro.
  - El aparato debe colocarse sobre una superficie estable y antideslizante de forma que las ventosas queden fijadas para que el aparato no se vuelque con las vibraciones.
  - El cable de red no debe estar en la zona de trabajo para evitar que el aparato se vuelque por un tirón accidental.

## Manejo


### ADVERTENCIA

- ▶ El motor se apaga en cuanto se retira el vaso ③ del bloque motor ⑤ o se abre la tapa ②. Por este motivo, es posible que dé la impresión de que la máquina también está desconectada hasta que el motor se encienda inesperadamente en cuanto vuelva a montarse el vaso ③ o a cerrarse la tapa ②. Por este motivo, proceda de la manera siguiente:
  - Conecte el enchufe en la toma eléctrica solo cuando haya terminado de llenar el vaso ③ ya montado y convenientemente cerrado.
  - Antes de montar el vaso, asegúrese siempre de que el aparato esté apagado o de que el enchufe esté desconectado.
  - Apague primero el aparato, desconecte el enchufe de la toma eléctrica y espere hasta que el motor se detenga antes de retirar el vaso ③ o de abrir la tapa ②.

## Montaje y llenado del vaso

- 1) Gire el vaso ③ en sentido antihorario hasta que la flecha ▼ situada bajo el asa del vaso ③ quede sobre la posición . Retire el vaso ③ del bloque motor ⑤ en posición recta hacia arriba.
- 2) Retire la tapa ②; para ello, gírela en sentido antihorario hacia la posición  (consulte la fig. 1) hasta que pueda extraerse hacia arriba.
- 3) Llene el vaso ③ como mínimo hasta la rayita inferior de la escala ⑧ y, como máximo, hasta la marca MAX. Para obtener un resultado óptimo, recomendamos las siguientes cantidades máximas de llenado:

Alimento	Máx. cantidad de llenado	Nivel recomendado	Tiempo de procesamiento recomendado
Líquidos	1800 ml	1-3	60 s
Bebidas mixtas con yogur	1250 ml	2-5	90 s
Batidos/smoothies	1250 ml	2-5	60-90 s
Masa para crepes/tortitas	1250 ml	3-5	90 s
Papilla para bebés	750 g	5	3 min
Mayonesa	2 huevos 250 ml de aceite	3-5	90-120 s
Puré de verduras	1500 ml	3-5	3 min
Cubitos de hielo	250 ml	P	12 veces

- 4) Vuelva a presionar firmemente la tapa ② sobre el vaso ③ en su posición desplazada. Para cerrar la tapa ②, gírela en sentido horario hacia la posición  hasta que encastre audiblemente (consulte la fig. 2). Asegúrese de que la boca del vaso ③ quede cerrada. Solo podrá activarse el motor si la tapa ② está bien colocada.

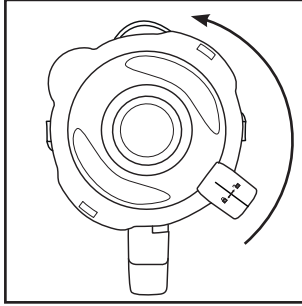


Fig. 1

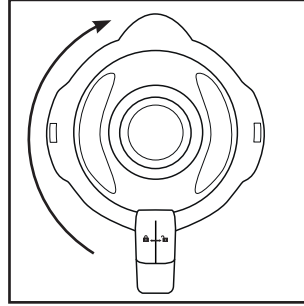




Fig. 2

- 5) Presione el accesorio medidor ① hasta el tope para introducirlo en el orificio de la tapa.
- 6) Coloque el vaso ③ lleno y cerrado sobre el bloque motor ⑥. Para ello, utilice los alojamientos del bloque motor ⑥ y asegúrese de que la flecha ▼ del vaso ③ apunte hacia el símbolo . Gire el vaso ③ en sentido horario hacia la posición  hasta que encastre audiblemente. Solo podrá activarse el motor si el vaso ③ está bien colocado.

## Selección del nivel de velocidad

Una vez que el vaso ③ esté lleno, bien cerrado y montado sobre el bloque motor ⑥, podrá encenderse el aparato.

Ajuste el interruptor ⑤ en uno de los siguientes niveles:

### ■ Nivel 1-3

Para mezclar, triturar y batir alimentos líquidos o semisólidos.

### ■ Nivel 3-5

Para alimentos más sólidos o para picar.

### ■ Nivel P (funcionamiento por impulsos)

Para un funcionamiento con impulsos cortos y potentes; p. ej., para picar cubitos de hielo o para la limpieza. El interruptor ⑤ no queda encastrado en este ajuste para no sobrecargar el motor. Por este motivo, el interruptor ⑤ solo debe mantenerse brevemente en esta posición.

## INDICACIÓN

- ▶ Llene el vaso ③ con 180 g de cubitos de hielo como máximo. De lo contrario, el aparato no los pica de manera óptima.

## Llenado durante el funcionamiento

### ADVERTENCIA


- ▶ Si desea rellenar el vaso durante el funcionamiento, solo podrá abrir el accesorio medidor **1** diseñado para ello. No abra nunca la tapa **2**.
- ▶ No introduzca nunca cubiertos ni objetos en el vaso **3** mientras el aparato esté en funcionamiento. ¡Si entran en contacto con las cuchillas **4** mientras giran a alta velocidad, existe un grave peligro de lesiones!

Para poder rellenar ligeramente el vaso durante el funcionamiento, proceda de la siguiente manera:

- 1) Retire el accesorio medidor **1** de la tapa **2**.
- 2) Introduzca los ingredientes.
- 3) A continuación, vuelva a presionar el accesorio medidor **1** para introducirlo en el orificio de la tapa.

## Desmontaje del vaso

Cuando haya terminado de procesar los alimentos introducidos, proceda de la siguiente manera:

- 1) Ajuste siempre primero el interruptor **5** en la posición de apagado ("0") y desconecte el enchufe de la toma eléctrica.
- 2) Espere a que el motor se detenga antes de retirar el vaso **3** del bloque motor **6**. Para ello, gire el vaso **3** en sentido antihorario hasta que la flecha ▼ situada bajo el asa del vaso **3** quede sobre la posición . Retire el vaso **3** del bloque motor **6** en posición recta hacia arriba.

## Indicaciones útiles

- Para lograr un resultado óptimo en el triturado de alimentos sólidos, añada poco a poco los alimentos en porciones pequeñas en el vaso **3** en lugar de llenarlo de una sola vez.
- Si desea procesar ingredientes sólidos, córtelos en trocitos pequeños (2-3 cm).
- Para preparar purés o papillas de frutas o verduras, añada un mínimo de 50 ml de líquido.
- Vierta primero los ingredientes más espesos, como, p. ej., el yogur, en el vaso **3**. Si durante el batido no se han procesado todos los alimentos, retire el vaso **3** del bloque motor **6**, destape la tapa **2** y remueva los ingredientes, p. ej., con una cuchara. Vuelva a montar el vaso **3** con la tapa **2** cerrada en el bloque motor **6** y continúe el procesamiento.
- Para mezclar ingredientes líquidos, comience primero con una pequeña cantidad de líquido. A continuación, vaya añadiendo más líquido poco a poco a través del orificio de la tapa.

- Si, durante el funcionamiento, coloca la mano sobre la batidora de vaso cerrada, podrá estabilizar bien el aparato.
- Para batir alimentos sólidos o líquidos muy espesos, puede que sea conveniente utilizar el nivel **P** para evitar que las cuchillas **4** se bloqueen.

## INDICACIÓN

- ▶ No utilice el aparato para reducir el tamaño de los granos de sal, de azúcar refinado o azúcar blanco, como p. ej., para preparar azúcar glas.

## Recetas

### Batido de plátano

- 2 plátanos
- Aprox. 2 cucharadas de azúcar (según el nivel de madurez de los plátanos y el gusto personal)
- ½ litro de leche
- 1 chorro de zumo de limón

Pele los plátanos y trítúrelos en el nivel 2. Vaya añadiendo la leche poco a poco y, a continuación, el azúcar y el zumo de limón. Mézclelo todo hasta lograr un líquido uniforme. Sirva el batido bien frío.

### Batido de vainilla

- ¼ litro de leche
- 250 g de helado de vainilla
- 125 g de cubitos de hielo
- 1 cucharadita y ½ de azúcar

Pique los cubitos de hielo en el nivel **P**. Introduzca el resto de los ingredientes en el vaso. Mezcle todo en el nivel 2 hasta lograr un líquido uniforme.

### Batido de capuchino

- 65 ml de café expreso frío (o café muy fuerte)
- 65 ml de leche
- 15 g de azúcar
- 65 g de helado de vainilla
- 100 g de cubitos de hielo

Pique los cubitos de hielo en el nivel **P**. Añada el expreso, la leche y el azúcar. Mézclelo todo en el nivel 2 hasta que el azúcar se disuelva. Por último, añada el helado de vainilla y mézclelo todo brevemente en el nivel 1.

## Zumo tropical

- 125 ml de zumo de piña
- 60 ml de zumo de papaya
- 50 ml de zumo de naranja
- ½ lata pequeña de melocotones en su jugo
- 125 g de cubitos de hielo

Pique los cubitos de hielo en el nivel **P**. Añada todos los ingredientes y mézclelo todo en el nivel 3.

## Batido de crema de cacao y avellanas

- ½ litro de leche
- 200 g de crema de cacao y avellanas
- 1 bola de helado de vainilla
- 50 ml de nata

Introduzca todos los ingredientes en la batidora y mézclelo todo en el nivel 3 hasta que quede un batido uniforme.

## Batido de zanahoria

- 300 ml de zumo de manzana
- 500 ml de zumo de zanahoria
- 4 cucharadas de aceite (de germen de trigo o de colza)
- 4 cucharadas de zumo de limón
- Jengibre en polvo
- Pimienta

Vierta el zumo de manzana, el aceite y el zumo de limón en la batidora y mézclelo todo en el nivel 2. A continuación, añada el zumo de zanahoria y mézclelo todo en el nivel 2. Condimente el batido con el jengibre en polvo y la pimienta.

## Batido de grosella

- 2 cucharaditas de miel
- 2 plátanos
- ¼ litro de suero de mantequilla ("buttermilk")
- ¼ litro de zumo de grosella (negra)

Añada todos los ingredientes y mézclelo todo en el nivel 3.



## Batido hawaiano

- 4 plátanos
- ¼ litro de zumo de piña
- ½ litro de leche
- 2 cucharadas de miel
- ¼ litro de ron

Pele los plátanos y tritúrelos en el nivel 2. Añada el resto de los ingredientes y mézclelo todo en el nivel 1.

## Zumo de frutas con piña y fresas

- 250 ml de zumo de piña
- 200 g de fresas
- 300 ml de zumo de manzana
- 4 cubitos de hielo

Lave las fresas y quite el pedúnculo. Pique los cubitos de hielo en el nivel **P**. Tritúrelos en el nivel 2. A continuación, añada el resto de los ingredientes y mézclelo todo en el nivel 1.

## Gazpacho andaluz

- ½ pepino
- 1 tomate grande carnoso
- 1 pimiento verde
- ½ cebolla
- 1 diente de ajo
- ½ bollo de pan blanco
- ½ cucharadita de sal
- 1 cucharadita de vinagre de vino tinto
- 1 cucharada de aceite de oliva

Corte las verduras en trozos de aprox. 2 cm. Añada primero los trozos de tomate y, después, los de pepino. Tritúrelos en el nivel 3. A continuación, añada el resto de los ingredientes y tritúrelos/mézclelos en el nivel 3 hasta que se forme una sopa uniforme. Sirva el gazpacho con pan.

### INDICACIÓN

- ▶ Recetas sin garantía. Todas las indicaciones de ingredientes y de preparación son valores orientativos. Complete estas recetas recomendadas con su experiencia personal.

### INDICACIÓN

- ▶ Para los intolerantes a la lactosa, recomendamos el uso de leche sin lactosa. No obstante, debe tenerse en cuenta que la leche sin lactosa es un poco más dulce.

## Limpeza

### **⚠ ¡PELIGRO DE DESCARGA ELÉCTRICA!**

Antes de limpiar la batidora de vaso y sus piezas, proceda de la siguiente manera:

- ▶ Asegúrese de que el aparato esté apagado y desenchufado.



No sumerja nunca el bloque motor **6** en agua u otros líquidos. De lo contrario, existe peligro de muerte por descarga eléctrica y de daños en el aparato.

- ▶ No abra nunca la carcasa del aparato. De lo contrario, existe peligro de muerte por descarga eléctrica.

### **⚠ ¡ADVERTENCIA! ¡PELIGRO DE LESIONES!**

- ▶ No toque nunca la parte interior del vaso **3**, especialmente durante el funcionamiento. ¡Las cuchillas **4** están muy afiladas!

### **¡ATENCIÓN! ¡DAÑOS MATERIALES!**

- ▶ No utilice disolventes ni productos abrasivos para las superficies de plástico, ya que podrían dañarse.

## Limpeza del vaso

- Limpie el vaso **3** exclusivamente con un cepillo de mango largo para no cortarse con las cuchillas **4**.
- Limpie el accesorio medidor **1** y la tapa **2** con agua jabonosa suave. Asegúrese de que la junta de goma **3** esté bien colocada antes de volver a utilizar la tapa **2**.

### **INDICACIÓN**



La tapa **2**, el accesorio medidor **1** y el vaso **3** con las cuchillas **4** también pueden limpiarse en el lavavajillas.

En la medida de lo posible, coloque estas piezas en la parte superior del lavavajillas y asegúrese de que ninguna quede aprisionada.

- En la mayoría de los casos, si limpia el aparato justo después de su uso, la limpieza será lo suficientemente higiénica si emplea el siguiente método: Llene el vaso **3** con 750 ml de agua y añada unas gotas de jabón lavavajillas suave. Cierre la tapa **2** y coloque el vaso **3** sobre el bloque motor **6**. Conecte el enchufe en la toma eléctrica y accione varias veces el nivel de funcionamiento por impulsos para que las cuchillas **4** giren a la máxima velocidad. A continuación, aclare el vaso **3** con suficiente agua limpia para eliminar cualquier resto del jabón lavavajillas.

- Para limpiar mejor los restos de suciedad incrustada, puede desmontarse el accesorio **A** con las cuchillas **4** del recipiente **B** del vaso **3**:

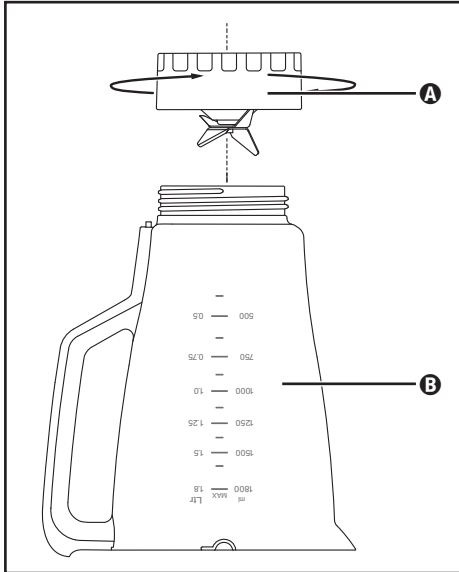


Fig. 3

- 1) Retire el vaso **3** del bloque motor **6**. Para lograr una mayor estabilidad, retire la tapa **2** (consulte la fig. 1).
- 2) Dé la vuelta al aparato y gire el accesorio **A** en sentido antihorario para poder desmontarlo del recipiente **B** (consulte la fig. 3).

**⚠ ¡ADVERTENCIA! ¡PELIGRO DE LESIONES!**

► Proceda cuidadosamente con las cuchillas **4**, ya que están muy afiladas.

- 3) Limpie bien el accesorio **A** y el recipiente **B** con agua jabonosa suave o en el lavavajillas.
- 4) Seque bien todas las piezas antes de volver a montarlas.
- 5) Vuelva a montar el accesorio **A** con las cuchillas **4** en el recipiente **B** del vaso **3** y gírelo en sentido horario para fijarlo.

## Limpieza del bloque motor

- 1) Limpie las superficies con un paño humedecido. En caso necesario, añada al paño un poco de jabón lavavajillas suave. A continuación, vuelva a frotar con un paño humedecido exclusivamente con agua para eliminar cualquier resto de jabón lavavajillas. Tras esto, seque bien las superficies.
- 2) Durante cada limpieza, asegúrese de que el interruptor por contacto del alojamiento del vaso ❸ no esté bloqueado por restos de suciedad. Si no puede eliminar un posible bloqueo con la esquina de una hoja de papel, póngase en contacto con el servicio de asistencia técnica. No utilice nunca un objeto duro, ya que podría dañar el interruptor por contacto.
- 3) Elimine cualquier posible resto de suciedad de la parte inferior del bloque motor ❹ exclusivamente con un paño seco o un pincel. Para ello, asegúrese de que no penetre nada en el aparato por las ranuras de ventilación.

## Después de la limpieza

Deje que todas las piezas se sequen bien antes de volver a montar y a utilizar el aparato.

## Almacenamiento

- 1) Si no pretende utilizar la batidora de vaso durante un periodo prolongado de tiempo, límpiela concienzudamente (consulte el capítulo "Limpieza").
- 2) Enrolle el cable de red alrededor del enrollacables ❺ situado en la parte inferior del bloque motor ❹ en la dirección indicada por la flecha.
- 3) Guarde el aparato en un lugar fresco y seco.

## Desecho



**No deseche nunca el aparato con la basura doméstica.  
Este aparato está sujeto a la Directiva europea 2012/19/EU.**

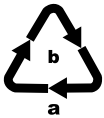
Deseche el aparato en un centro de residuos autorizado o a través de las instalaciones municipales de desecho de residuos. Observe las normas vigentes. En caso de duda, póngase en contacto con las instalaciones municipales de desecho de residuos.



Puede informarse acerca de las posibilidades de desecho de los aparatos usados en su administración municipal o ayuntamiento.



Este producto es reciclable, está sujeto a una responsabilidad ampliada del fabricante y se recoge por separado.



Observe las indicaciones de los distintos materiales y, si procede, reciclelos de la manera correspondiente. Los materiales cuentan con abreviaciones (a) y cifras

(b) que significan lo siguiente:

1-7: plásticos;

20-22: papel y cartón;

80-98: materiales compuestos.



El embalaje consta de materiales ecológicos que pueden desecharse a través de los centros de reciclaje locales.

## Garantía de Kompernass Handels GmbH

Estimado cliente:

Este aparato cuenta con una garantía de 3 años a partir de la fecha de compra. Si se detectan defectos en el producto, puede ejercer sus derechos legales frente al vendedor. Estos derechos legales no se ven limitados por la garantía descrita a continuación.

### Condiciones de la garantía

El plazo de la garantía comienza con la fecha de compra. Guarde bien el comprobante de caja, ya que lo necesitará como justificante de compra.

Si dentro de un periodo de tres años a partir de la fecha de compra de este producto se detecta un defecto en su material o un error de fabricación, asumiremos la reparación o sustitución gratuita del producto o restituiremos el precio de compra a nuestra elección. La prestación de la garantía requiere la presentación del aparato defectuoso y del justificante de compra (comprobante de caja), así como una breve descripción por escrito del defecto detectado y de las circunstancias en las que se haya producido dicho defecto, dentro del plazo de tres años.

Si el defecto está cubierto por nuestra garantía, le devolveremos el producto reparado o le suministraremos uno nuevo. La reparación o sustitución del producto no supone el inicio de un nuevo periodo de garantía.

### Duración de la garantía y reclamaciones legales por vicios

La duración de la garantía no se prolonga por hacer uso de ella. Este principio también se aplica a las piezas sustituidas y reparadas. Si después de la compra del aparato, se detecta la existencia de daños o de defectos al desembalarlo, deben notificarse de inmediato. Cualquier reparación que se realice una vez finalizado el plazo de garantía estará sujeta a costes.

### Alcance de la garantía

El aparato se ha fabricado cuidadosamente según estándares elevados de calidad y se ha examinado en profundidad antes de su entrega.

La prestación de la garantía se aplica a defectos en los materiales o errores de fabricación. Esta garantía no cubre las piezas del producto normalmente sometidas al desgaste y que, en consecuencia, puedan considerarse piezas de desgaste ni los daños producidos en los componentes frágiles, p. ej., interruptores, baterías o piezas de vidrio.

Se anulará la garantía si el producto se daña o no se utiliza o mantiene correctamente. Para utilizar correctamente el producto, deben observarse todas las indicaciones especificadas en las instrucciones de uso. Debe evitarse cualquier uso y manejo que esté desaconsejado o frente al que se advierta en las instrucciones de uso.

El producto está previsto exclusivamente para su uso privado y no para su uso comercial. En caso de manipulación indebida e incorrecta, uso de la fuerza y apertura del aparato por personas ajenas a nuestros centros de asistencia técnica autorizados, la garantía perderá su validez.

## Proceso de reclamación conforme a la garantía

Para garantizar una tramitación rápida de su reclamación, le rogamos que observe las siguientes indicaciones:

- Mantenga siempre a mano el comprobante de caja y el número de artículo (p. ej., IAN 123456\_7890) como justificante de compra.
- Podrá ver el número de artículo en la placa de características del producto, grabado en el producto, en la portada de las instrucciones de uso (parte inferior izquierda) o en el adhesivo de la parte trasera o inferior del producto.
- Si se producen errores de funcionamiento u otros defectos, póngase primero en contacto con el departamento de asistencia técnica especificado a continuación **por teléfono o por correo electrónico**.
- Podrá enviar el producto calificado como defectuoso junto con el justificante de compra (comprobante de caja) y la descripción del defecto y de las circunstancias en las que se haya producido de forma gratuita a la dirección de correo proporcionada.



En [www.lidl-service.com](http://www.lidl-service.com), podrá descargar este manual de usuario y muchos otros más, así como vídeos sobre los productos y software de instalación.

Con este código QR, accederá directamente a la página del Servicio Lidl ([www.lidl-service.com](http://www.lidl-service.com)) y podrá abrir las instrucciones de uso mediante la introducción del número de artículo (IAN) 360749\_2007.

## Asistencia técnica

ES

### Servicio España

Tel.: 902 59 99 22

(0,08 EUR/Min. + 0,11 EUR/llamada (tarifa normal))

(0,05 EUR/Min. + 0,11 EUR/llamada (tarifa reducida))

E-Mail: [kompernass@lidl.es](mailto:kompernass@lidl.es)

IAN 360749\_2007

## Importador

Tenga en cuenta que la dirección siguiente no es una dirección de asistencia técnica. Póngase primero en contacto con el centro de asistencia técnica especificado.

KOMPERNASS HANDELS GMBH

BURGSTRASSE 21

44867 BOCHUM

ALEMANIA

[www.kompernass.com](http://www.kompernass.com)

## Inholdsfortegnelse

<b>Indledning</b> .....	<b>150</b>
<b>Korrekt anvendelse</b> .....	<b>150</b>
<b>Pakkens indhold</b> .....	<b>150</b>
<b>Beskrivelse af bordblenderen</b> .....	<b>151</b>
<b>Tekniske data</b> .....	<b>151</b>
<b>Sikkerhedsanvisninger</b> .....	<b>152</b>
<b>Udpakning</b> .....	<b>154</b>
<b>Opstilling</b> .....	<b>154</b>
<b>Betjening</b> .....	<b>155</b>
Påfyldning og montering af blenderkanden .....	155
Valg af hastighedstrin .....	156
Påfyldning under funktion .....	157
Aftagning af blenderkanden .....	157
<b>Nyttige tips</b> .....	<b>157</b>
<b>Opskrifter</b> .....	<b>158</b>
Banan-shake .....	158
Vanilje-shake .....	158
Cappucino-shake .....	158
Tropical-mix .....	159
Nødde-nougat-shake .....	159
Gulerods-shake .....	159
Solbær-mix .....	159
Hawaii-shake .....	160
Lækker ananas-jordbær-mix .....	160
Andalusisk kold suppe (gazpacho) .....	160
<b>Rengøring</b> .....	<b>161</b>
Rengøring af blenderkanden .....	161
Rengøring af motorblokken .....	163
Efter rengøring .....	163
<b>Opbevaring</b> .....	<b>163</b>
<b>Bortskaffelse</b> .....	<b>164</b>
<b>Garanti for Kompernass Handels GmbH</b> .....	<b>165</b>
Service .....	166
Importør .....	166



## Indledning

Til lykke med købet af din nye el-artikel.

Dermed har du valgt et produkt af høj kvalitet. Betjeningsvejledningen er en del af dette produkt. Den indeholder vigtige informationer om sikkerhed, anvendelse og bortskaffelse. Du bedes sætte dig ind i alle produktets betjenings- og sikkerheds-anvisninger før brug. Brug kun produktet som beskrevet og kun til de angivne anvendelsesområder. Lad også vejledningen følge med produktet, hvis du giver det videre til andre.

## Korrekt anvendelse

Dette produkt er udelukkende beregnet til ...

- blanding, purering og omrøring af fødevarer samt knusning af isterninger (såkaldt "crushing"),
- mængder, som normalt bruges i private husholdninger, og endvidere er den kun beregnet til privat brug i tørre rum.

Dette produkter ikke beregnet til ...

- findeling af urter, løg, kød og hårde dele af fødevarer som f.eks. nødder, kerner, store korn eller stilke,
- fremstilling af nøddesmør,
- forarbejdning af materialer, som ikke er fødevarer,
- anvendelse til erhvervsmæssige eller industrielle formål,
- anvendelse i fugtige omgivelser eller udendørs,
- forarbejdning af varme/kogende væsker.

Brug kun tilbehør og reservedele, som er beregnet til denne maskine. Andre dele egner sig muligvis ikke til maskinen og er ikke sikre nok!

## Pakkens indhold

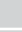

Kontrollér efter udpakning, at alle dele følger med. Følgende skal forefindes:

- motorblok, med strømkabel og strømstik
- kande
- låg
- påfyldningslåg
- betjeningsvejledning

## Beskrivelse af bordblenderen

- 1 Påfyldningslåg
- 2 Låg
- 3 Blenderkande
- 4 Knive
- 5 Kontakt
- 6 Motorblok
- 7 Kabelopvikling
- 8 Skala
- 9 Gummipakning låg

## Tekniske data

Nominel spænding	220 - 240 V ~ (vekselstrøm), 50 - 60 Hz
Nominel effekt	600 W
Volumen	ca. 2,4 liter
Maks. påfyldningsmængde	1,8 liter
Beskyttelsesklasse	II /  (dobbeltisolering)
Korttidsdrift	3 minutter
	Alle produktets dele, som kommer i kontakt med levnedsmidler, er levnedsmiddelægte.

Korttidsdriften angiver, hvor længe man kan bruge maskinen, uden at motoren bliver for varm og tager skade. Efter den angivne tid for korttidsdrift skal maskinen slukkes, indtil motoren er kølet ned til rumtemperatur.

## Sikkerhedsanvisninger

### ADVARSEL FARE FOR STRØMSTØD!

- ▶ Sørg for, at motorblokken, strømkablet eller strømstikket aldrig dyppes ned i vand eller andre væsker.
- ▶ Brug kun maskinen i tørre rum, aldrig udendørs eller i fugtige omgivelser.
- ▶ Sørg for, at el-ledningen aldrig bliver våd eller fugtig under brug. Læg ledningen, så den ikke klemmes eller på anden måde beskadiges.
- ▶ Lad omgående defekte stik eller kabler udskifte af en reparatør, så farlige situationer undgås.
- ▶ Træk altid stikket ud af stikkontakten efter brug. Det er ikke tilstrækkeligt at slukke for maskinen, da der stadig er spænding på maskinen, så længe stikket sidder i stikkontakten.
- ▶ Kontrollér, at maskinen er i fejlfri stand, inden du bruger den første gang. Produktet må ikke anvendes, hvis der er synlige skader på det - dette gælder særligt for motorblokken eller blenderkanden.
- ▶ Træk straks strømstikket ud af stikkontakten, hvis du mærker usædvanlig støj eller lugt, eller hvis du bliver opmærksom på, at maskinen ikke fungerer rigtigt.

### ADVARSEL! FARE FOR PERSONSKADER!

- ▶ Stik aldrig hænderne ned i blenderkanden og slet ikke, når den er i funktion. Knivene er ekstremt skarpe!
- ▶ Åbn ikke låget, når maskinen er i brug.
- ▶ Lad ikke maskinen køre uden opsyn, så du hurtigt kan reagere i farlige situationer.

**⚠ ADVARSEL! FARE FOR PERSONSKADER!**

- ▶ Stik aldrig bestik eller røregenstande ned i blenderkanden, så længe maskinen er i funktion. Der er stor fare for tilskadekomst, hvis disse dele rører ved knivene, som drejer sig meget hurtigt!
- ▶ Der skal holdes opsyn med børn, så det sikres, at de ikke leger med maskinen.
- ▶ Misbrug ikke produktet til andre formål end dem, der er beskrevet i denne vejledning.
- ▶ Ved misbrug af produktet er der risiko for personskader.
- ▶ Hvis produktet ikke er under opsyn, skal det altid afbrydes fra strømforsyningen, før det samles, skilles ad eller rengøres.
- ▶ Produktet må ikke bruges af børn.
- ▶ Produktet og dets tilslutningsledning skal holdes uden for børns rækkevidde.
- ▶ Dette produkt kan bruges af personer med reducerede fysiske, sensoriske eller mentale evner eller manglende erfaring og/eller viden, hvis de er under opsyn eller er blevet oplært i brugen af produktet og de farer, som kan være forbundet med det.
- ▶ Børn må ikke lege med produktet.
- ▶ Vær forsigtig ved arbejde med meget varmt fedtstof. Knivene er meget skarpe!
- ▶ Vær forsigtig ved tømning af mixerkanden! Knivene er meget skarpe!
- ▶ Vær forsigtig ved rengøring af produktet! Knivene er meget skarpe!
- ▶ Sluk for produktet, og tag stikket ud, før du skifter tilbehøret eller rører ved dele, som bevæger sig under brug.

## **⚠ ADVARSEL! FARE FOR PERSONSKADER!**

- ▶ Brug kun blenderkanden med den medfølgende motorblok!
- ▶ Vær sikker på, at blenderen altid er slukket, inden du fjerner blenderkanden fra motorblokken!

## **OBS! MATERIELLE SKADER!**

- ▶ Brug ikke maskinen på steder, hvor solen skinner direkte på den, eller i nærheden af apparater, der udvikler varme.
- ▶ Fyld aldrig kogende væske i blenderkanden! Lad først væsken køle ned til håndvarm temperatur.
- ▶ Brug aldrig maskinen, når den er tom – altså uden ingredienser i blandebeholderen.

## **Udpakning**

- Fjern alle emballagedele eller beskyttelsesfolier fra maskinen. Opbevar emballagen for at beskytte maskinen under opbevaring eller for at sende maskinen ind f.eks. til reparation.
- Før du anvender maskinen, skal du kontrollere, at maskinen, ledningen og stikket samt alle tilbehørsdele og maskindele er uden skader.
- Rengør omhyggeligt alle dele, før maskinen bruges første gang (se "Rengøring").

## **Opstilling**

Når du har rengjort alle dele som beskrevet under "Rengøring":



- Stil maskinen, så ...
  - ledningen føres gennem åbningen på bagsiden
  - du hurtigt kan få fat i strømstikket, så du kan trække det ud af stikkontakten i tilfælde af fare
  - den står stabilt og skridsikkert, og sugekopperne sidder godt fast, så vibrationerne ikke kan få blenderen til at vælte
  - ledningen ikke ligger på arbejdspladsen, så maskinen kan vælte, fordi der trækkes i ledningen.

## Betjening


### ADVARSEL!

- ▶ Motoren slukker automatisk, når blenderkanden **3** tages af motorblokken **6**, eller hvis låget **2** åbnes. Derved kan man let overse, at maskinen stadig er tændt. Motoren starter så uventet, når blenderkanden **3** sættes på, eller hvis låget **2** lukkes igen:  
Derfor:
  - Sæt først strømstikket i stikkontakten, når blenderkanden **3** er fyldt op og sat på.
  - Kontrollér altid, at maskinen er slukket eller strømstikket trukket ud, før du sætter kanden på.
  - Sluk derfor først for produktet, træk derefter stikket ud og vent, indtil motoren står stille, før du tager blenderkanden **3** af eller åbner låget **2**.

## Påfyldning og montering af blenderkanden

- 1) Drej blenderkanden **3** i retning mod uret, indtil pilen ▼ under blenderkandens **3** håndtag står over positionen . Tag blenderkanden **3** lodret op fra motorblokken **6**.
- 2) Fjern låget **2** ved at dreje det mod uret i retning af position  (se fig. 1), indtil du kan tage det af oppefra.
- 3) Fyld blenderkanden **3** mindst op til den nederste streg på skalaen **8** og maksimalt til MAX-markeringen. For at opnå optimale resultater anbefaler vi følgende maksimale påfyldningsmængder:

Fødevarer	Maks. påfyldningsmængde	Anbefalet trin	Anbefalet bearbejdnings-tid
Væske	1800 ml	1-3	60 sek.
Blandede yoghurt-drikke	1250 ml	2-5	90 sek.
Milkshakes/ smoothies	1250 ml	2-5	60-90 sek.
Pandekagedej	1250 ml	3-5	90 sek.
Babymos	750 g	5	3 min.
Mayonnaise	2 æg 250 ml olie	3-5	90-120 sek.
Grøntsagssuppe	1500 ml	3-5	3 min.
Isterninger	250 ml	P	12x

- 4) Sæt låget ② forskudt på blenderkanden ③ igen. Luk låget ② ved at dreje det med uret til position  indtil det klikker hørbart på plads (se fig. 2). Sørg for, at hældetuden på blenderkanden ③ er lukket. Motoren kan kun startes, hvis låget ② slutter helt til.

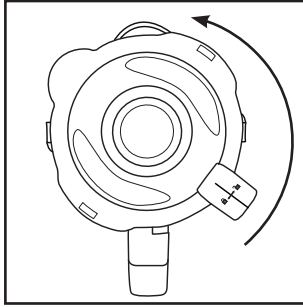


Fig. 1

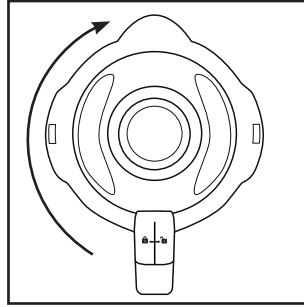




Fig. 2

- 5) Tryk på påfyldningslåget ① indtil den klikker fast i lågets åbning.
- 6) Sæt den fyldte og lukkede blenderkande ③ på motorblokken ⑥. Brug udskæringerne i motorblokken ⑥ hertil og sørg for, at pilen ▼ på blenderkanden peger mod symbolet . Drej blenderkanden ③ med uret til position  indtil den klikker hørbart på plads. Motoren kan kun startes, hvis blenderkanden ③ sidder korrekt på hele vejen rundt.

## Valg af hastighedstrin

Når blenderkanden ③ er fyldt og står fuldstændig lukket på motorblokken ⑥, kan du tænde for produktet.

Stil kontakten ⑤ på ...

- **trin 1 – 3**  
for flydende eller mellemfaste fødevarer, som skal blendes, pureres eller røres
- **trin 3 – 5**  
for fastere fødevarer eller for at findele
- **trin P (impulsfunktion)**  
for kort, kraftig impulsfunktion, f.eks. knusning af isterninger eller til rengøring. Kontakten ⑤ låses ikke i denne stilling, så motoren ikke overbelastes. Hold derfor kun kontakten ⑤ kortvarigt på denne stilling.

### BEMÆRK

- Fyld mixerdelen ③ maksimalt med 180 g isterninger. Ellers finder apparatet ikke isterningerne optimalt.

## Påfyldning under funktion

### ADVARSEL!


- ▶ Hvis du vil fylde på, mens maskinen er i gang, må du kun gøre det ved at åbne påfyldningslåget **1**, som er beregnet til dette. Åbn aldrig låget **2**.
- ▶ Stik aldrig bestik eller røregenstande ned i blenderkanden **3**, så længe maskinen er i funktion. Der er stor fare for tilskadekomst, hvis disse genstande rører ved knivene **4**, som drejer sig meget hurtigt!

For at kunne fylde på, mens maskinen er i gang, skal du ...

- 1) Tag påfyldningslåget **1** ud af låget **2**.
- 2) Fylde ingredienser på.
- 3) Tryk derefter påfyldningslåget **1** ned i lågets åbning igen.

## Aftagning af blenderkanden

Når bearbejdningen af de påfyldte fødevarer er afsluttet:

- 1) Stil altid først kontakten **5** på slukket-stillingen ("O"), og træk stikket ud.
- 2) Vent, indtil motoren står stille, før du tager blenderkanden **3** af motorblokken **6**. Drej blenderkanden **3** mod uret, indtil pilen ▼ under blenderkandens håndtag står over position . Tag blenderkanden **3** lodret op fra motorblokken **6**.

## Nyttige tips

- For at opnå de bedste resultater ved purering af faste ingredienser skal du kun tilsætte små portioner ad gangen i stedet for at fylde en stor mængde i på én gang **3**.
- Hvis du vil forarbejde faste ingredienser, skal du skære dem i små stykker (2 - 3 cm).
- Tilsæt mindst 50 ml væske ved purering af frugt eller grøntsager.
- Hæld først tykflydende ingredienser som f.eks. yoghurt i blenderkanden **3**. Tag blenderkanden **3** af motorblokken **6**, hvis nogle af ingredienserne ikke gribes af knivene og blendes, fjern låget **2**, og rør rundt i ingredienserne med f.eks. en ske. Sæt blenderkanden **3** med lukket låg **2** på motorblokken **6** igen, og fortsæt med at blende.
- Når du blender flydende ingredienser, skal du først begynde med en lille mængde væske. Tilsæt derefter mere væske lidt efter lidt gennem åbningen i låget.
- Hvis du lægger hånden på den lukkede bordblender, mens den er i gang, kan du stabilisere maskinen.
- ved omrøring af faste eller meget tykflydende fødevarer kan det være gavnligt at bruge trinnet **P** for at forhindre, at kniven **4** sætter sig fast.



## BEMÆRK

- ▶ Brug ikke maskinen til at fremstille f.eks. stødt melis ved at findele kogesalt, raffineret sukker eller hvidt sukker.

## Opskrifter

### Banan-shake

- 2 bananer
- ca. 2 spsk sukker  
(afhængigt af, hvor modne bananerne er og den personlig smag)
- ½ l mælk
- 1 stænk citronsaft

Skræl bananerne, og purer dem på trin 2. Tilsæt mælken lidt efter lidt og derefter sukkeret og citronsaften. Bland det hele, indtil det er ensartet flydende. Server shaken kølet med is.

### Vanilje-shake

- ¼ l mælk
- 250 g vanilleis
- 125 g isterninger
- 1 ½ tsk sukker

Knus isterningerne på trin **P**. Fyld resten af ingredienserne i blenderen. Bland det hele på trin 2, indtil der dannes en jævn væske.

### Cappucino-shake

- 65 ml kold espresso (eller meget stærk kaffe)
- 65 ml mælk
- 15 g sukker
- 65 g vanilleis
- 100 g isterninger

Knus isterningerne på trin **P**. Tilsæt espressoen, mælken og sukkeret. Bland det hele på trin 2, indtil sukkeret er opløst. Tilsæt til sidst vanilleisen, og bland det kort på trin 1.

## Tropical-mix

- 125 ml ananassaft
- 60 ml papayasaft
- 50 ml appelsinsaft
- ½ lille dåse ferskner med saft
- 125 g isterninger

Knus isternerne på trin **P**. Hæld alle ingredienserne i blenderen, og bland dem kort på trin 3.

## Nødde-nougat-shake

- ½ l mælk
- 200 g nødde-nougat-creme
- 1 kugle vanilleis
- 50 ml fløde

Bland alle ingredienserne i blenderen på trin 3, til det hele er blandet godt.

## Gulerods-shake

- 300 ml æblejuice
- 500 ml gulerodssaft
- 4 spsk olie (hvedekim- eller rapsolie)
- 4 spsk citronsaft
- Stødt ingefær
- Peber

Hæld æblejuice, olie og citronsaft i blenderen, og bland det hele på trin 2. Tilsæt derefter gulerodssaften, og bland det på trin 2. Smag så shaken til med stødt ingefær og peber.

## Solbær-mix

- 2 tsk honning
- 2 bananer
- ¼ l kærnemælk
- ¼ liter solbærsaft

Hæld alle ingredienserne i blenderen, og bland dem på trin 3.

## Hawaii-shake

- 4 bananer
- ¼ l ananassaft
- ½ l mælk
- 2 spsk honning
- ¼ l rom

Skræl bananerne, og purer dem på trin 2. Tilsæt de øvrige ingredienser, og bland dem på trin 1.

## Lækker ananas-jordbær-mix

- 250 ml ananassaft
- 200 g jordbær
- 300 ml æblejuice
- 4 isterninger

Vask jordbærerne, og fjern det grønne. Knus isterningerne på trin P. Purer dem på trin 2. Tilsæt derefter resten af ingredienserne, og bland det hele på trin 1.

## Andalusisk kold suppe (gazpacho)

- ½ agurk
- 1 stor tomat
- 1 grøn peber
- ½ løg
- 1 fed hvidløg
- ½ rundstykke
- ½ tsk salt
- 1 tsk rødvinseddike
- 1 tsk olivenolie

Skær grønsagerne i ca. 2 cm store stykker.

Hæld først tomaterne og derefter agurkerne i blenderen. Purer det hele på trin 3.

Hæld resten af ingredienserne i, og purer/bland det hele på trin 3, til det bliver til en ensartet suppe. Server med brød.

### BEMÆRK

- ▶ Opskrifter uden garanti. Alle ingrediens- og tilberedningsoplysninger er vejledende. Supplér disse opskriftsforslag med dine egne erfaringer.


### BEMÆRK

- ▶ Ved intolerans over for laktose anbefales det at bruge laktosefri mælk. Tænk dog på, at laktosefri mælk er lidt sødere.

## Rengøring

### ⚠ FARE FOR STRØMSTØD!

Før du rengør blenderen og dens dele:

- ▶ Kontrollér, at maskinen er slukket og stikket trukket ud.
-  Motorblokken **6** må aldrig lægges ned i vand eller andre væsker. Herved opstår der livsfare på grund af elektrisk stød, og maskinen kan ødelægges.
- ▶ Åbn aldrig maskinens kabinet. Der kan opstå livsfare på grund af elektriske stød.

### ⚠ ADVARSEL! FARE FOR PERSONSKADER!

- ▶ Stik aldrig hænderne ned i blenderkanden **3**, og slet ikke, når blenderen er i gang. Knivene **4** er meget skarpe!

### OBS! MATERIELLE SKADER!

- ▶ Anvend ingen opløsnings- eller skuremidler til plastsiderne, da de kan beskadiges.

## Rengøring af blenderkanden

- Rengør kun blenderkanden **3** med en opvaskebørste med langt skaft, så du ikke kommer til skade på knivene **4**.
- Rengør påfyldningslåget **1** og låget **2** i en mild sæbeblanding. Kontrollér, at gummipakningen **9** sidder rigtigt, før du bruger låget **2** igen.

### BEMÆRK



Låget **2**, påfyldningslåget **1** og blenderkanden **3** med kniven **4** kan også rengøres i opvaskemaskinen.

Læg så vidt muligt delene i den øverste kurv i opvaskemaskinen, og sørg for, at de ikke kommer i klemme.

- Hvis du rengør produktet lige efter brug, kan du rengøre produktet tilstrækkelig hygiejnisk med følgende alternativ:  
 Fyld blenderkanden **3** med 750 ml vand og tilsæt nogle dråber mildt opvaskemiddel. Luk låget **2**, og sæt blenderkanden **3** på motorblokken **6**. Sæt stikket i stikkontakten og aktivér impulsfunktionen et par gange, så knivene **4** roterer gennem vandet med maksimal hastighed. Skyl derefter blenderkanden **3** med rent vand, så alle rester af opvaskemiddel forsvinder.

- For nemmere at fjerne fastsiddende snavs kan påsatsen **A** med knivene **4** løsnes fra beholderen/blenderkanden **B/3**:

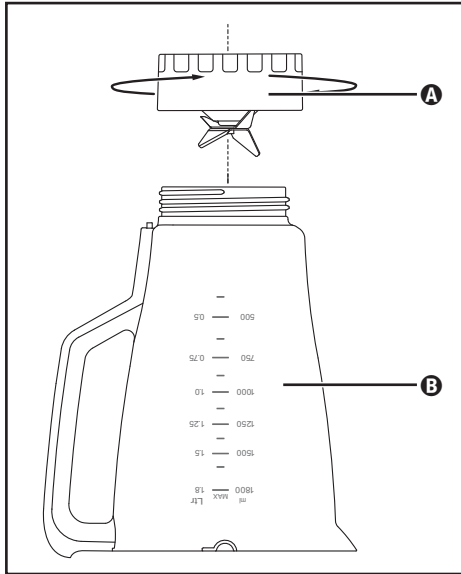


Fig. 3

- 1) Tag blenderkanden **3** af motorblokken **6**. Fjern låget **2**, så produktet står mere stabilt (se fig. 1).
- 2) Stil produktet på hovedet og drej påsatsen **A** imod urets retning, så den kan løsnes fra beholderen **B** (se fig. 3).

**⚠ ADVARSEL! FARE FOR PERSONSKADER!**

► Vær forsigtig ved håndtering af knivene **4**. De er meget skarpe!

- 3) Rengør påsatsen **A** og beholderen **B** grundigt i mildt sæbevand eller i opvaskemaskinen.
- 4) Tør alle dele grundigt, før du samler dem igen.
- 5) Sæt påsatsen **A** med knivene **4** på blenderkanden/holderen **3/B** igen, og drej den fast i urets retning.

## Rengøring af motorblokken

- 1) Rengør overfladerne med en fugtig klud. Ved behov kan du anvende et mildt opvaskemiddel på kluden. Tør af med en klud, der kun er fugtet med rent vand, så eventuelle rester af opvaskemiddel fjernes. Tør overfladerne godt af bagefter.
- 2) Kontrollér, hver gang du rengør maskinen, at kontakten i blenderkandens **3** holder ikke er blokeret af rester af snavs. Hvis eventuelle blokeringer ikke kan løsnes med hjørnet af et stykke papir, skal du henvende dig til vores kunde-service. Brug aldrig en hård genstand, da kontakten derved kan beskadiges.
- 3) Fjern udelukkende eventuelt snavs på undersiden af motorblokken **6** med en tør klud eller en støvpensel. Sørg for, at der ikke kan komme noget som helst ind gennem ventilationsåbningerne i maskinen.

## Efter rengøring

Lad alle dele tørre godt, før du samler bordblenderen og anvender den igen.

## Opbevaring

- 1) Hvis du ikke anvender bordblenderen i længere tid, skal den rengøres grundigt (se kapitlet "Rengøring").
- 2) Vikl ledningen om kabelopviklingen **7** i pilens retning i bunden af motorblokken **6**.
- 3) Opbevar bordblenderen på et køligt, tørt sted.

## Bortskaffelse



**Bortskaf ikke produktet sammen med det almindelige husholdningsaffald. Dette produkt er underlagt det europæiske direktiv 2012/19/EU.**

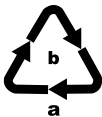
Bortskaf produktet via en godkendt bortskaffelsesvirksomhed eller den kommunale genbrugsplads. Følg de aktuelt gældende regler. Henvend dig i tvivlstilfælde til den lokale genbrugsplads.



Du kan få oplysninger hos kommunen om bortskaffelse af udtjente produkter.



Produktet kan genbruges, er underlagt udvidet producentansvar og indsamles separat.



Bortskaf emballagen miljøvenligt.

Vær opmærksom på mærkningen på de forskellige emballagematerialer, og aflever dem sorteret til bortskaffelse. Emballagematerialerne er mærket med forkortelserne (a) og tallene (b) med følgende betydning:

- 1-7: Plast,
- 20-22: Papir og pap,
- 80-98: Kompositmaterialer.



Emballagen består af miljøvenlige materialer, som kan bortskaffes på de lokale genbrugspladser.

## Garanti for Kompernass Handels GmbH

Kære kunde

På dette produkt får du 3 års garanti fra købsdatoen. I tilfælde af mangler ved produktet har du en række juridiske rettigheder i forhold til sælgeren af produktet. Dine juridiske rettigheder forringes ikke af den nedenfor anførte garanti.

### Garantibetingelser

Garantiperioden begynder på købsdatoen. Opbevar venligst kvitteringen et sikkert sted. Den er nødvendig for at kunne dokumentere købet.

Hvis der inden for tre år fra dette produkts købsdato opstår en materiale- eller fabrikationsfejl, vil produktet – efter vores valg – blive repareret eller udskiftet, eller købsprisen vil blive refunderet gratis til dig. Denne garantiydelse forudsætter, at det defekte produkt afleveres, og købsbeviset (kvitteringen) forevises i løbet af fristen på tre år, og at der gives en kort skriftlig beskrivelse af, hvori manglen består, og hvornår den er opstået.

Hvis defekten er dækket af vores garanti, får du et repareret eller et nyt produkt retur. Reparation eller ombytning af produktet udløser ikke en ny garantiperiode.

### Garantiperiode og juridiske mangelkrav

Garantiperioden forlænges ikke, hvis der gøres brug af garantien. Det gælder også for udskiftede og reparerede dele. Skader og mangler, som eventuelt allerede fandtes ved køb, samt manglende dele, skal anmeldes straks efter udpakningen. Når garantiperioden er udløbet, er reparation af skader betalingspligtig.

### Garantiens omfang

Produktet er produceret omhyggeligt efter strenge kvalitetsretningslinjer og testet grundigt inden leveringen.

Garantien dækker materiale- og fabrikationsfejl. Denne garanti omfatter ikke produktdele, der er udsat for normal slitage og derfor kan betragtes som sliddele, eller skader på skrøbelige dele som f.eks. kontakter, genopladelige batterier eller dele af glas.

Denne garanti bortfalder, hvis produktet er blevet beskadiget, ikke er forskriftsmæssigt anvendt eller vedligeholdt. For at sikre forskriftsmæssig anvendelse af produktet skal alle anvisninger nævnt i betjeningsvejledningen nøje overholdes. Anvendelsesformål og handlinger, som frarådes eller der advares imod i betjeningsvejledningen, skal ubetinget undgås.

Produktet er kun beregnet til privat og ikke til kommercielt brug. Ved misbrug og uhensigtsmæssig brug, anvendelse af vold og ved indgreb, som ikke er foretaget af vores autoriserede serviceafdeling, bortfalder garantien.



## Afvikling af garantisager

For at sikre en hurtig behandling af din anmeldelse bør du følge nedenstående anvisninger:

- Ved alle forespørgsler bedes du have kvitteringen og artikelnummeret (f.eks. IAN 123456\_7890) klar som dokumentation for købet.
- Artikelnummeret kan du finde på typeskiltet på produktet, som indgravering på produktet, på betjeningsvejledningens forside (nederst til venstre) eller som klæbemærke på bag- eller undersiden af produktet.
- Hvis der opstår funktionsfejl eller øvrige mangler, bedes du først kontakte nedennævnte serviceafdeling **telefonisk** eller **via e-mail**.
- Et produkt, der er registreret som defekt, kan du derefter indsende portofrit til den oplyste serviceadresse med vedlæggelse af købsbevis (kvittering) og en beskrivelse af, hvori manglen består, og hvornår den er opstået.



På [www.lidl-service.com](http://www.lidl-service.com) kan du downloade denne og mange andre manualer, produktvideoer og installationssoftware.

Med denne QR-kode kommer du direkte til Lidl-servicesiden ([www.lidl-service.com](http://www.lidl-service.com)) og kan åbne den ønskede betjeningsvejledning ved indtastning af artikelnummeret (IAN) 360749\_2007.

## Service

**DK** Service Danmark

Tel.: 32 710005

E-Mail: [kompennass@lidl.dk](mailto:kompennass@lidl.dk)

IAN 360749\_2007

## Importør

Bemærk at den efterfølgende adresse ikke er en serviceadresse. Kontakt først det nævnte servicested.

KOMPERNASS HANDELS GMBH

BURGSTRASSE 21

44867 BOCHUM

TYSKLAND

[www.kompennass.com](http://www.kompennass.com)



**KOMPERNASS HANDELS GMBH**

BURGSTRASSE 21

44867 BOCHUM

GERMANY

[www.kompernass.com](http://www.kompernass.com)

Last Information Update · Stand der Informationen · Version des informations · Stand van de informatie  
Stav informací · Stan informácií · Stav informácií · Estado de las informaciones · Tilstand af information:  
03/2021 · Ident.-No.: SSMKC600A1-112020-5

---

IAN 360749\_2007